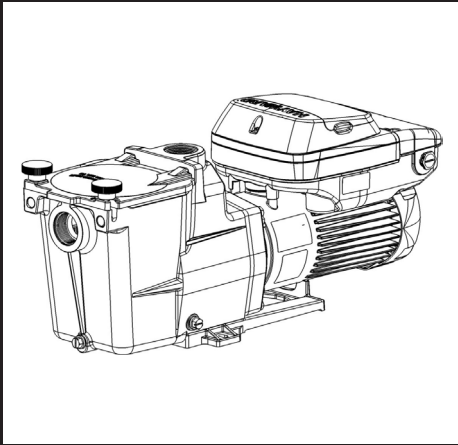




1.65 THP VS Pump Family

Owner's Manual



Contents

- Safety Instructions.....1
- Table of Contents.....5
- Overview.....6
- Installation.....7
- Operation.....15
- Maintenance.....22
- Replacement Parts.....24
- Troubleshooting.....25

HL2670020VSP
SPX2603Z1VSPE
SP2670020VSP
W3SP2603VSP

Hayward Industries
1415 Vantage Park Dr., Suite 400
Charlotte, NC 28203
Phone (908)-355-7995
www.hayward.com



HAYWARD®

IMPORTANT SAFETY INSTRUCTIONS



Basic safety precautions should always be followed, including the following: Failure to follow instructions can cause severe injury and/or death.

⚠ This is the safety-alert symbol. When you see this symbol on your equipment or in this manual, look for one of the following signal words and be alert to the potential for personal injury.

⚠ WARNING warns about hazards that could cause serious personal injury, death or major property damage and if ignored presents a potential hazard.

⚠ CAUTION warns about hazards that will or can cause minor or moderate personal injury and/or property damage and if ignored presents a potential hazard. It can also make consumers aware of actions that are unpredictable and unsafe.

The **NOTICE** label indicates special instructions that are important but not related to hazards.

⚠ WARNING - Read and follow all instructions in this owner's manual and on the equipment. Failure to follow instructions can cause severe injury and/or death.

⚠ WARNING – This product should be installed and serviced only by a qualified professional.

⚠ CAUTION – All electrical wiring MUST be in conformance with all applicable local codes, regulations, and the National Electric Code (NEC).

USE OF NON-HAYWARD REPLACEMENT PARTS VOIDS WARRANTY.

ATTENTION INSTALLER - THIS MANUAL CONTAINS IMPORTANT INFORMATION ABOUT THE INSTALLATION, OPERATION, AND SAFE USE OF THIS VARIABLE SPEED PUMP THAT MUST BE FURNISHED TO THE END USER OF THIS PRODUCT. FAILURE TO READ AND FOLLOW ALL INSTRUCTIONS COULD RESULT IN SERIOUS INJURY.

⚠ WARNING – To reduce risk of injury, do not permit children to use or climb on this product. Closely supervise children at all times. Components such as the filtration system, pumps, and heaters must be positioned to prevent children from using them as a means of access to the pool.


⚠ CAUTION – This pump is intended for use on permanently installed swimming pools and may also be used with hot tubs and spas if so marked. Do NOT use with storable pools. A permanently installed pool is constructed in or on the ground or in a building such that it cannot be readily disassembled for storage. A storable pool is constructed so that it is capable of being readily disassembled for storage and reassembled to its original integrity. Though this product is designed for outdoor use, it is strongly advised to protect the electrical components from the weather. Select a well-drained area, one that will not flood when it rains. It requires free circulation of air for cooling. Do not install in a damp or non-ventilated location. If installed within an outer enclosure or beneath the skirt of a hot tub or spa, adequate ventilation and free circulation of air must be provided to prevent overheating of the motor.

For warranty information, please go to www.hayward.com/warranty.


SAVE THESE INSTRUCTIONS



⚠ WARNING – Pool and spa components (seals, gaskets, etc.) have a finite life. All components should be inspected frequently and replaced at least every ten years, or if found to be damaged, broken, cracked, missing, or not securely attached.

 **⚠ WARNING – Risk of Electric Shock.** All electrical wiring **MUST** be in conformance with applicable local codes, regulations, and the National Electric Code (NEC). Hazardous voltage can shock, burn, and cause death or serious property damage. To reduce the risk of electric shock, do **NOT** use an extension cord to connect unit to electric supply. Provide a properly located electrical receptacle. Before working on pump or motor, turn off power supply to the pump.


⚠ WARNING – To reduce the risk of electric shock replace damaged wiring immediately. Locate conduit to prevent abuse from lawn mowers, hedge trimmers and other equipment.


 **⚠ WARNING – Risk of Electric Shock.** In accordance with the National Electric Code (NEC), connect only to a branch circuit protected by a ground-fault circuit-interrupter (GFCI). Contact a qualified electrician if you cannot verify that the circuit is protected by a GFCI. The unit must be connected only to a supply circuit that is protected by a ground-fault circuit-interrupter (GFCI). Such a GFCI should be provided by the installer and should be tested on a routine basis. To test the GFCI, push the test circuit button. The GFCI should interrupt power. Push the reset button. Power should be restored. If the GFCI fails to operate in this manner, the GFCI is defective. If the GFCI interrupts power to the pump without the test button being pushed, a ground current is flowing, indicating the possibility of an electric shock. Do not use this pump. Disconnect the pump and have the problem corrected by a qualified service representative before using.


⚠ WARNING – Failure to bond pump to pool structure will increase risk for electrocution and could result in injury or death. To reduce the risk of electric shock, see installation instructions and consult a professional electrician on how to bond pump. Also, contact a licensed electrician for information on local electrical codes for bonding requirements.


Notes to electrician: Use a solid copper conductor, size 8 or larger. Run a continuous wire from external bonding lug to reinforcing rod or mesh. Connect a No. 8 AWG (8.4 mm²) [No. 6 AWG (13.3 mm²) for Canada] solid copper bonding wire to the pressure wire connector provided on the pump housing and to all metal parts of swimming pool, spa, or hot tub, and to all electrical equipment, metal piping (except gas piping), and conduit within 5 ft. (1.5 m) of inside walls of swimming pool, spa, or hot tub. **IMPORTANT** - Reference NEC codes for all wiring standards including, but not limited to, grounding, bonding and other general wiring procedures.

⚠ WARNING – Suction Entrapment Hazard. Suction in suction outlets and/or suction outlet covers, which are damaged, broken, cracked, missing, or unsecured cause severe injury and/or death due to the following entrapment hazards (symbols complements of APSP):

 **Hair Entrapment** - Hair can become entangled in suction outlet cover.
Limb Entrapment - A limb inserted into an opening of a suction outlet sump or suction outlet cover that is damaged, broken, cracked, missing, or not securely attached can result in a mechanical bind or swelling of the limb.

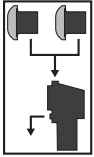
 **Body Suction Entrapment** - A differential pressure applied to a large portion of the body or limbs can result in an entrapment.

 **Evisceration/ Disembowelment** - A negative pressure applied directly to the intestines through an unprotected suction outlet sump or suction outlet cover which is damaged, broken, cracked, missing, or unsecured can result in evisceration/disembowelment.

 **Mechanical Entrapment** - There is potential for jewelry, swimsuits, hair decorations, fingers, toes, or knuckles to be caught in an opening of a suction outlet cover resulting in mechanical entrapment.



⚠ WARNING – To Reduce the risk of Entrapment Hazards:



- When outlets are small enough to be blocked by a person, a minimum of two functioning suction outlets per pump must be installed. Suction outlets in the same plane (i.e. floor or wall), must be installed a minimum of three feet (3') [0.91 meter] apart, as measured from near point to near point.
- Dual suction fittings shall be placed in such locations and distances to avoid “dual blockage” by a user.
- Dual suction fittings shall not be located on seating areas or on the backrest for such seating areas.
- The maximum system flow rate shall not exceed the values shown in the “Pipe Sizing Chart” found in section 4.3 below.
- Never use pool or spa if any suction outlet component is damaged, broken, cracked, missing, or not securely attached.
- Replace damaged, broken, cracked, missing, or not securely attached suction outlet components immediately.
- In addition to two or more suction outlets per pump installed in accordance with latest APSP standards and CPSC guidelines, follow all national, state, and local codes applicable.
- Installation of a vacuum release or vent system, which relieves entrapping suction, is recommended.



⚠ WARNING – **Hazardous Pressure.** Pool and spa water circulation systems operate under hazardous pressure during start-up, normal operation, and after pump shut-off. Stand clear of circulation system equipment during pump start-up. Failure to follow safety and operation instructions could result in violent separation of the pump housing and cover due to pressure in the system, which could cause property damage, severe personal injury, or death. Before servicing pool and spa water circulation system, all system and pump controls must be in off position and filter manual air relief valve must be in open position. Before starting pump, all system valves must be set in a position to allow system water to return back to the pool. Do not change filter control valve position while pump is running. Before starting pump, fully open filter manual air relief valve. Do not close filter manual air relief valve until a steady stream of water (not air or air and water mix) is discharged from the valve. All suction and discharge valves **MUST** be OPEN when starting the circulation system. Failure to do so could result in severe personal injury and/or property damage.



⚠ WARNING – **Separation Hazard.** Failure to follow safety and operation instructions could result in violent separation of pump components. Strainer cover must be properly secured to pump housing with strainer cover lock ring. Before servicing pool and spa circulation system, all system and pump controls must be in off position and filter manual air relief valve must be in open position. Do not operate pool and spa circulation system if a system component is not assembled properly, damaged, or missing. Do not operate pool and spa circulation system unless filter manual air relief valve body is in locked position in filter upper body. All suction and discharge valves **MUST** be OPEN when starting the circulation system. Failure to do so could result in severe personal injury and/or property damage.

⚠ WARNING – Never operate the circulation system at more than 50 PSI maximum.

⚠ WARNING – **Fire and burn hazard.** Motors operate at high temperatures and if they are not properly isolated from any flammable structures or foreign debris they can cause fires, which may cause severe personal injury or death. It is also necessary to allow the motor to cool for at least 20 minutes prior to maintenance to minimize the risk for burns.

⚠ WARNING – Failure to install according to defined instructions may result in severe personal injury or death.

SAVE THESE INSTRUCTIONS

⚠ WARNING

- **INGESTION HAZARD:** This product contains a button cell or coin battery.
- **DEATH** or serious injury can occur if ingested.
- A swallowed button cell or coin battery can cause **Internal Chemical Burns** in as little as **2 hours**.
- **KEEP** new and used batteries **OUT OF REACH** or **CHILDREN**.
- **Seek immediate medical attention** if a battery is suspected to be swallowed or inserted inside any part of the body.



⚠ WARNING – Even used batteries may cause death or serious injury.

⚠ WARNING – Call a local poison control center for treatment information.

⚠ WARNING – Remove and immediately recycle or dispose of used batteries according to local regulations and keep away from children. Do NOT dispose of batteries in household trash or incinerate.

⚠ WARNING – This product contains non-rechargeable batteries. Do NOT force discharge, recharge, disassemble, heat above 85°C, or incinerate. Doing so may result in injury due to venting, leakage, or explosion resulting in chemical burns.

⚠ WARNING – This product contains non-replaceable batteries. Do NOT under any circumstances attempt to remove or replace the factory-installed battery.

⚠ WARNING – Non-rechargeable batteries are not to be recharged.

NOTICE – This product contains a Panasonic BR1225 coin-type lithium battery.

NOTICE – The nominal voltage of the battery contained within this product is 3V.

Certificate of Conformity

Product: MaxFlo, SuperPump, TriStar, & LifeStar Series Variable Speed Pumps

CPSC Regulation: Safety Standard for Button Cell or Coin Batteries and Consumer Products Containing Such Batteries
Underwriters Laboratories UL 4200A-2023

Manufacturer: Hayward Industries
1415 Vantage Park Drive, Suite 400, Charlotte, NC 28203
Technical Service Phone: (908) 355-7995

Manufacture Location: Hayward Industries, One Hayward Industrial Drive, Clemmons, NC 27012

Date Manufactured: The serial number is a 17 digit number
Example serial number: 21122305456789001
The 5th - 8th digits are the “year & month” of the date of manufacture
Example above is the 5th month of 2023

Tested By: Hayward Industries, One Industrial Drive, Clemmons, NC 27012
Phone: (908) 355-7995
Test Report: March 2024



Table of Contents

Overview	6
Product Dimensions.....	6
Installation	7
Pump Location.....	7
Pump Mounting.....	7
Plumbing.....	8
Electrical.....	8
Digital Control Interface Orientation.....	9
Interface Mounting.....	9
Installation Procedure.....	11
Wiring Diagrams.....	11
Input Power Wiring (Required).....	11
Hayward Automation Control Wiring.....	11
External Relay Speed Control Wiring.....	13
Wall Mounted Digital Control Interface Wiring.....	14
Remote Stop Switch Wiring.....	14
Operation	15
Prior to Start-Up.....	15
Starting/Priming the Pump.....	15
User Interface Summary.....	16
Menu Outline.....	16
Initial Startup.....	17
Configuration Menu.....	17
Timers Menu.....	19
Preset Speed Setup Menu.....	20
Diagnostic Menu.....	21
Stop/Resume.....	21
Quick Clean.....	21
Remote Stop.....	22
Maintenance	22
Storage/Winterization.....	22
Shaft Seal Change Instructions.....	23
Replacement Parts	24
Troubleshooting	25
General Problems.....	25
Check System Messages.....	26



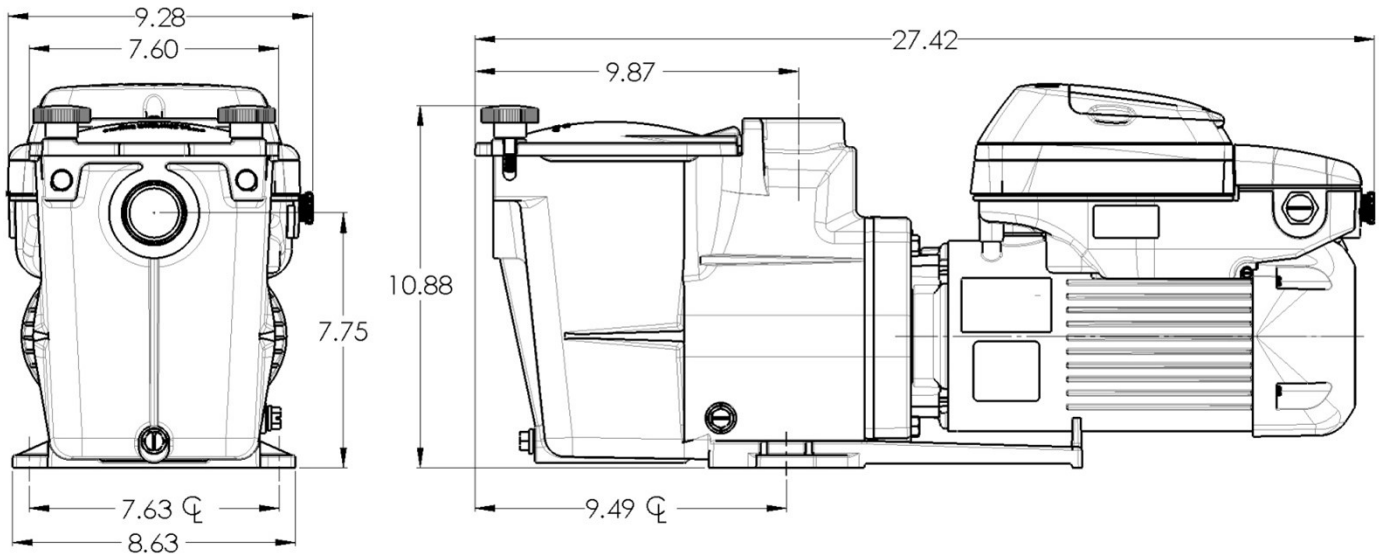
Overview

Hayward's 1.65 THP variable speed pump family delivers incredible energy savings via its advanced hydraulic design combined with a totally enclosed, permanent magnet motor. This pump is easily installed either as a programmable stand-alone pump or with a Hayward or third party controller and features an easy-to-use digital control interface that can be mounted in four different positions on the pump or removed and mounted on the wall for total user convenience.

Primary Features

- Totally enclosed, permanent magnet motor
- Advanced hydraulic design
- Fully programmable with a self-contained 24-hour clock and up to 8 custom speed and timer functions
- For enhanced pool management, can be controlled by Hayward or third party pool and spa control platforms, without the need for additional accessories
- Digital control interface that can be mounted in four different positions on the pump or removed and mounted on the wall
- Motor drive includes built-in protection for high temperatures and voltage fluctuations. Drive is also designed to withstand temperatures below freezing without issue

Product Dimensions



Energy Efficiency Overview

The energy consumed by a pool pump is measured in terms of Watts (W) or Kilowatts (kW). The 1.65 THP variable speed pump family displays power consumption in Watts. Given this information, you can determine the cost of operating the pump:

Power consumption of pump X Cost of electricity = Cost of Pump Operation per Hour

Example: Hayward variable speed pump operating at 300 W. Cost of electricity = \$0.10 per kWh

Convert Watts to Kilowatts: 300 W = 0.3 kW

0.3 kW X \$0.10/kWh = \$0.03 per hour

Note the power consumption is greatly affected by the speed of the pump. Lowering the speed of the pump can drastically reduce the power that is consumed. On the following page are some of the major benefits of running the pump at lower speeds.



Benefits of running at low speeds:

- Save electricity and money
- Improved filtration – the filter can often remove smaller particles when the water moves slower
- Quiet operation
- Reduced Total Dynamic Head – less stress on equipment (e.g. filter) which can lengthen equipment life

When determining the speed(s) to operate your pump, you must also take into account the minimum requirements for proper sanitation and equipment/water feature functionality.

It is recommended you filter (“turnover”) all the water in the pool at least once every 24 hours. Check with local requirements for the minimum turnover rate. Running the pump at a lower speed may require running the pump for a longer period of time in order to meet the turnover requirements for proper sanitation.

Equipment such as heaters, skimmers, and chlorinators require minimum flows to operate correctly. Refer to individual equipment manuals for specific flow requirements.

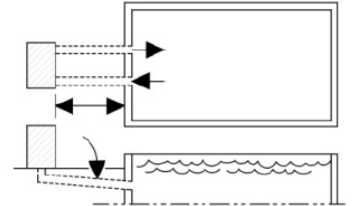
After setting the pump speed(s), it is recommended you check that all other equipment/water features are functioning as intended. For example, when running at a low speed for daily filtration, verify water is adequately flowing over the skimmer weirs. Operate the pump at higher speeds for the shorter periods of time needed to operate a heater, water feature, etc.

Installation

⚠ WARNING – This product should be installed and serviced only by a qualified professional.

Pump Location

Locate pump as close to pool as practical and run suction lines as direct as possible to reduce friction loss. Suction lines should have continuous slope upward from lowest point in line. Joints must be tight (but not over-tightened). Suction line diameter must equal or be larger than the discharge line diameter. Though the pump is designed for outdoor use, it is advised to place pump and filter in the shade to shield them from continuous direct heat. Select a well-drained area that will not flood when it rains. Do NOT install pump and filter in a damp or non-ventilated location. Keep motor clean. Pump motors require free circulation of air for cooling.



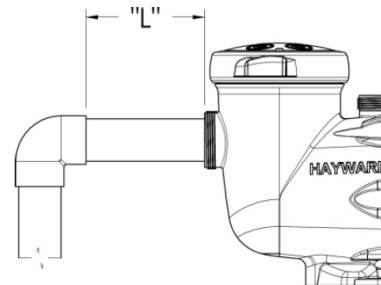
Pump Mounting

Install pump on a level concrete slab or other rigid base to meet all local and national codes. Secure pump to base with screws or bolts to further reduce vibration and stress on pipe or hose joints. The base must be level, rigid, and vibration free.

Pump mount must:

- Allow pump inlet height to be as close to water level as possible
- Allow use of short, direct suction pipe (to reduce friction losses)
- Allow for valves in suction and discharge piping
- Be protected from excess moisture and flooding
- Allow adequate access for servicing pump and piping

MAXIMUM RECOMMENDED SYSTEM FLOW RATE BY PIPE SIZE		
Pipe Size in. [mm]	Maximum Flow Rate GPM [LPM]	Minimum Straight Pipe Length “L” in. [mm]*
1 ½” [50]	45 [170]	7 ½” [190]
2” [63]	80 [300]	10” [254]
2 ½” [75]	110 [415]	12 ½” [317]
3” [90]	160 [600]	15” [381]



NOTE: It is recommended that a minimum length of straight piping (shown as “L” in above diagram), equivalent to 5 pipe size diameters, be used between the pump suction inlet and any plumbing fittings (elbows, valves, etc.).



When installing the 1.65 THP VS pump family, care should be taken to ensure proper pipe and equipment sizing to handle the maximum flow required. It is recommended to set the maximum speed in order to not exceed the maximum flow rate.

⚠ WARNING – Hazardous Pressure. Pumps, filters, and other equipment/ components of a swimming pool filtration system operate under pressure. Incorrectly installed and/or improperly tested filtration equipment and/or components may fail resulting in severe personal injury or death.

Plumbing

1. Use PTFE tape to seal threaded connections on molded plastic components. All plastic fittings must be new or thoroughly cleaned before use. NOTE - Do NOT use Plumber's Pipe Dope as it may cause cracking of the plastic components. When applying PTFE tape to plastic threads, wrap the entire threaded portion of the male fitting with one to two layers of tape. Wind the tape clockwise as you face the open end of the fitting, beginning at the end of the fitting. The pump suction and outlet ports have molded-in thread stops. Do NOT attempt to force hose connector fitting past this stop. It is only necessary to tighten fittings enough to prevent leakage. Tighten fitting by hand and then use a tool to engage fitting an additional 1 ½ turns. Use care when using PTFE tape as friction is reduced considerably; do NOT over-tighten fitting or you may cause damage. If leaks occur, remove connector, clean off old PTFE tape, re-wrap with one to two additional layers of PTFE tape, and re-install connector.
2. Fittings (elbows, tees, valves, etc.) restrict flow. For better efficiency, use the fewest possible fittings. Avoid fittings that could cause an air trap. Pool and spa fittings MUST conform to the International Association of Plumbing and Mechanical Officials (IAPMO) standards.

Electrical

⚠ WARNING – All electrical wiring MUST conform to local codes, regulations, and the National Electric Code (NEC).

⚠ WARNING – Ground and bond pump before connecting to electrical power supply. Failure to ground and bond pump can cause serious or fatal electrical shock hazard. Do NOT ground to a gas supply line. To avoid dangerous or fatal electrical shock, turn OFF power to pump before working on electrical connections. Fire Hazard - match supply voltage to pump nameplate voltage. Insure that the electrical supply available agrees with the pump's voltage, phase, and cycle, and that the wire size is adequate for the amps rating and distance from the power source. Use copper conductors only.

Electrical Specs

Refer to motor nameplate for voltage and current ratings. Use copper conductors only. For indoor & outdoor use. Connect pump to a 15 amp branch circuit in accordance with local codes, regulations, and the National Electric Code (NEC). A disconnecting means located at least 5 ft. from the inside wall of the pool, spa, or hot tub must be provided.

Voltage

Voltage at pump MUST NOT be more than 10% above or below nameplate rated voltage, or components may overheat, causing overload tripping and reduced component life. If voltage is less than 90% or more than 110% of rated voltage when pump is running at full load, consult the power company.

Grounding and Bonding

1. Install, ground, bond, and wire pump in accordance with local or national electrical code requirements.
2. Permanently ground pump. Use green ground terminal provided under access plate; use size and type wire required by code. Connect ground terminal to electrical service ground.
3. Bond pump to pool structure. Bonding will connect all metal parts within and around the pool with a continuous wire. Bonding reduces the risk of a current passing between bonded metal objects, which could potentially cause electrical shock if grounded or shorted. Reference NEC codes for all wiring standards including, but not limited to, grounding, bonding and general wiring procedures.
4. Use a solid copper conductor, size 8 or larger. Run wire from external bonding lug to reinforcing rod or mesh. Connect a No. 8 AWG (8.4 mm²) [No. 6 AWG (13.3 mm²) for Canada] solid copper bonding wire to the pressure wire connector provided on the motor housing and to all metal parts of swimming pool, spa, or hot tub, and to all electrical equipment, metal piping (except gas piping), and conduit within 5 ft. (1.5 m) of inside walls of swimming pool, spa, or hot tub.

Wiring

⚠ WARNING – All electrical wiring MUST conform to local codes, regulations, and National Electric Code (NEC)

1. Pump MUST be permanently connected to circuit. If other lights or appliances are also on the same circuit, be sure to add their amp loads before calculating wire and circuit breaker sizes. Use the circuit breaker as the master On-Off switch.
2. If this VS pump is being used to replace an existing pump that was controlled by a separate mechanical time clock, it should be connected directly to the line power supply, bypassing the time clock. The time clock can then be used to power other equipment (such as a heater, heat pump, or booster pump) that requires the filter pump to be operating when used. If the time clock is used in this manner, it should be set to power the equipment during a time cycle when the VS pump is operating at an appropriate flow rate to operate the other equipment, as defined by the timers set in the Timer Menu.



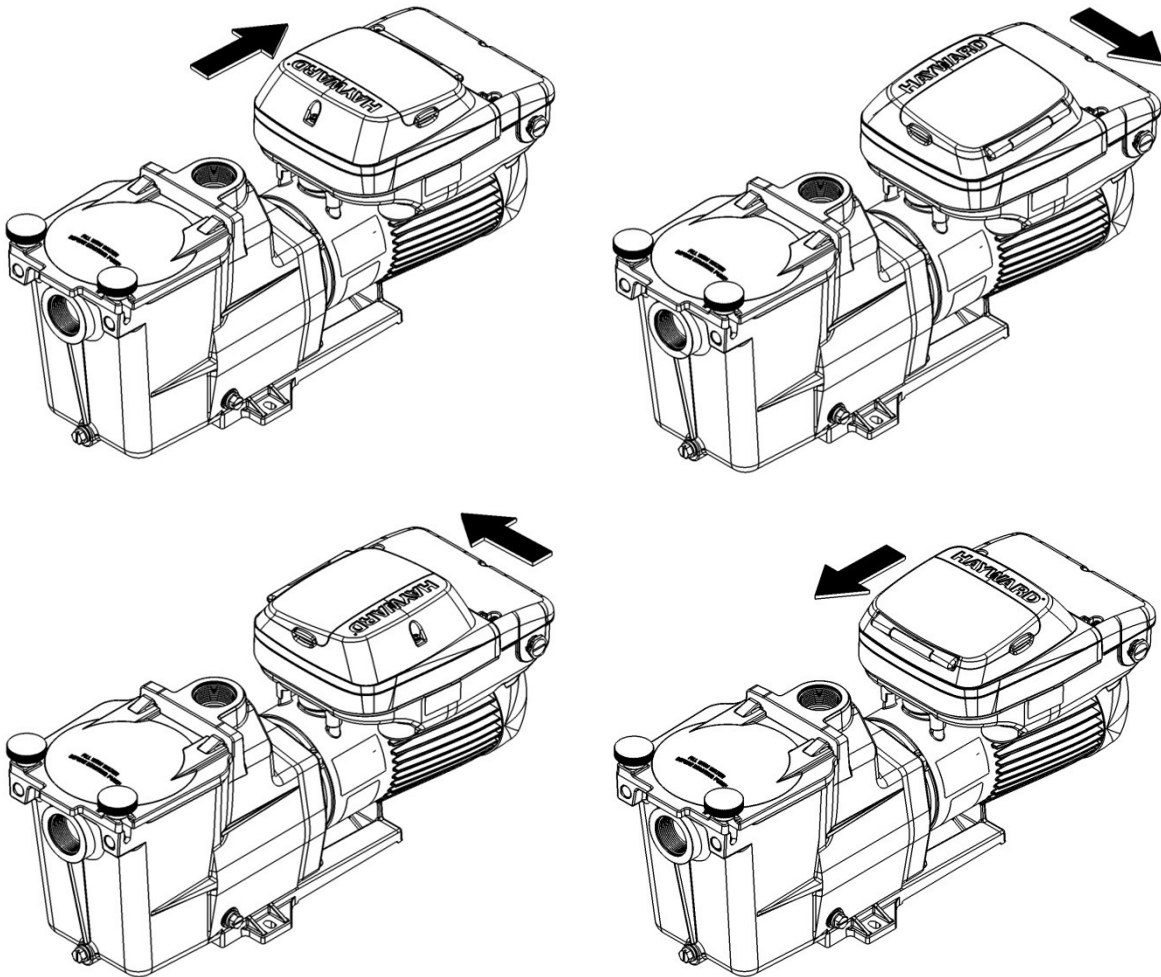
Remote Control Wiring/Operation

The 1.65 THP VS pump family can be controlled in a wide variety of ways as described below:

1. They can operate by themselves in Stand-Alone Mode using their built-in programmable timers.
2. They can also be controlled from third party controls (i.e. another manufacturer's control) and Hayward controls that are not software compatible using relay contacts. See page 13 for more information regarding connecting this pump and third party/non-software compatible Hayward controls.
3. They can communicate with and be controlled by Hayward pool and spa controls. See page 14 for more information regarding connecting this pump and Hayward pool and spa controls.

Digital Control Interface Orientation

The Digital Control Interface can be rotated to any of four desired positions after installation by loosening the two screws securing the user interface to the motor drive, lifting the user interface and rotating it to the desired position, and tightening the two screws in the new position.



Interface Wall Mounting

The interface can also be wall mounted using the parts supplied in the optional wall mount kit using the following procedure. Refer to diagram on Page 10.

1. TURN OFF THE ELECTRICAL POWER AT THE CIRCUIT BREAKER.
2. Loosen the two screws securing the user interface to the motor drive and remove the user interface. (Figure A)
3. Disconnect the short cable that extends out from the motor drive to the user interface. (Figure A)
4. Loosen the three screws securing the wiring compartment cover to the motor drive and remove the cover to gain access to the drive wiring compartment.
5. Unplug the short cable from the RS485 terminal block on the low voltage PCB.
6. Mount the wall mount plate, SP3200DR10, in the desired location. (Figure C)
7. Connect the interface cable as shown in the Wall Mounted Digital Control Interface Wiring diagram shown on page 14 to the second motor drive RS485 terminal block and user interface PCB. Use multi-conductor, jacketed cable suitable for the installation location. The cable must be routed through one of



- the left side conduit openings on the motor drive and through the slot provided on the backside of the wall mount plate, SP3200DR10. Use a liquid tight cordgrip, appropriately sized for the cable being used, to seal the conduit opening. Cable used may be up to 500 feet in length. (Figure C)
8. Mount the user interface to the wall mount plate, SP3200DR10, using the two screws. (Figure C)
 9. Reinstall the wiring compartment cover, taking care to make sure it is properly aligned with the motor drive, and tighten the three screws to secure.
 10. Install the blank cover, SP3200DR9, on the motor drive in the desired orientation. This cover is important to protect internal electronics. (Figure B)
 11. Apply power to the system and resume normal operation.

The following diagrams illustrate the interface wall mounting procedure:

Figure A

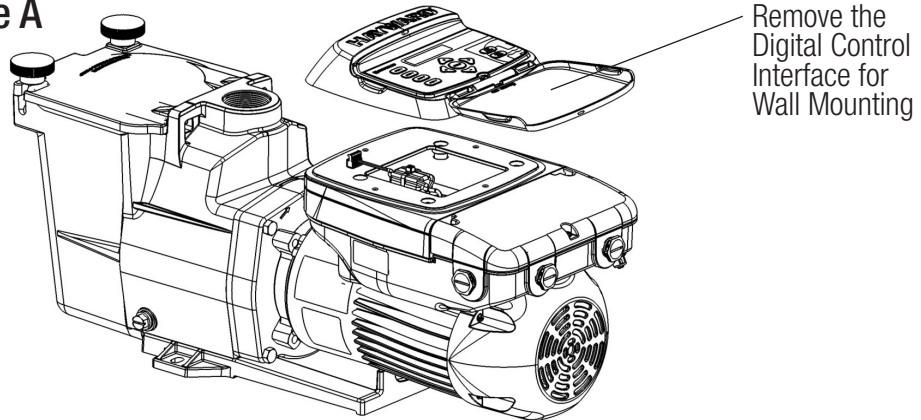


Figure B

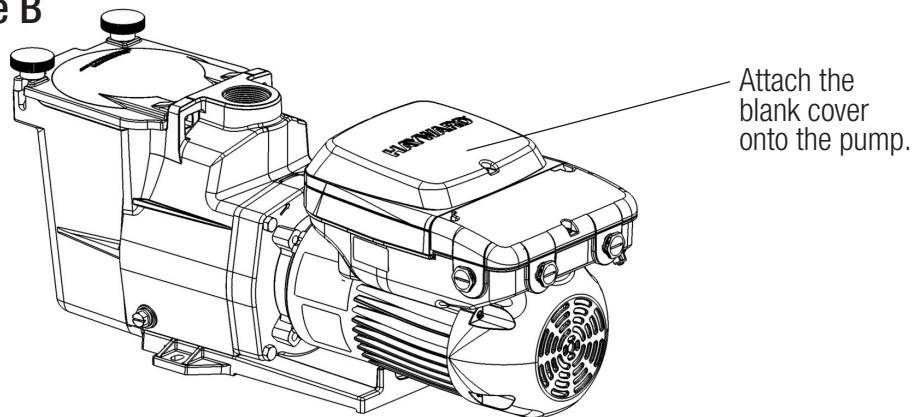
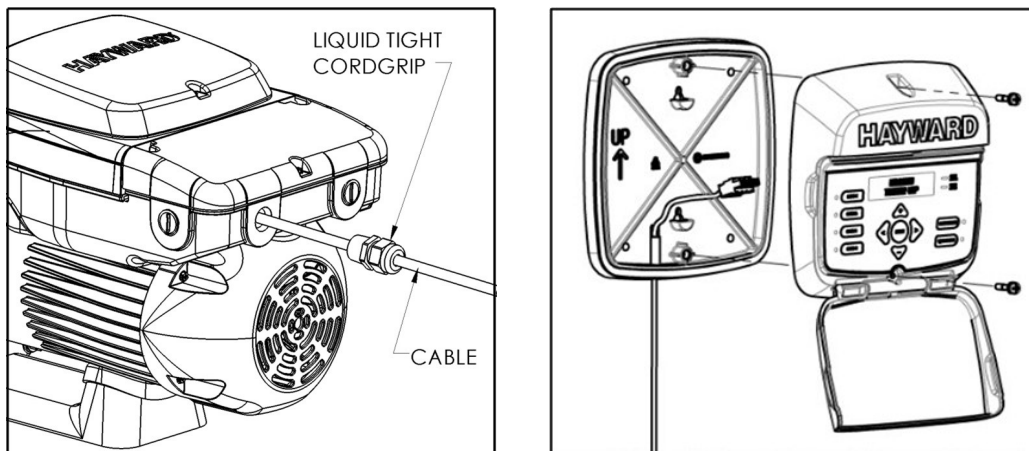


Figure C



Installation Procedure

Please review the sections above before continuing with this section.

1. TURN OFF THE ELECTRICAL POWER AT THE CIRCUIT BREAKER.
2. Loosen the three screws securing the wiring compartment cover and remove the cover to gain access to the drive wiring compartment.
3. Connect line power supply wiring to the terminals and ground screw as shown in the Input Power Wiring diagram. Wiring must be routed through one of the right side conduit openings. See Input Power Wiring section below for diagram.
4. If the pump will be controlled using a Hayward pool control, connect the provided three-conductor cable as shown in the Hayward Automation Control Wiring diagram. See Hayward Automation Control Wiring section below.
5. If the pump will be controlled using relay contacts from an external control, connect the digital input terminals to the relay contacts as shown in the External Relay Speed Control Wiring diagram. See page 13.
6. If the installation will use the remote stop feature of the drive, connect the digital input terminals to the remote stop switch as shown in the Remote Stop Wiring diagram. See page 14.
7. Wiring for remote control and/or remote stop functions must be routed through one of the left side conduit openings. Use a multi-conductor, jacketed cable for the installation location. Use a liquid tight cordgrip, appropriately sized for the cable being used, to seal the conduit opening.
8. Connect the pump to the pool bonding system using 8AWG (6AWG for Canada) wire. A lug for bonding is provided on the outside of the drive enclosure.
9. After all electrical connections have been made, replace the wiring compartment cover, taking care to make sure it is properly aligned with the motor drive, and tighten the three screws to secure.

NOTE: The wiring compartment cover must be installed properly to provide environmental protection for the wiring compartment.

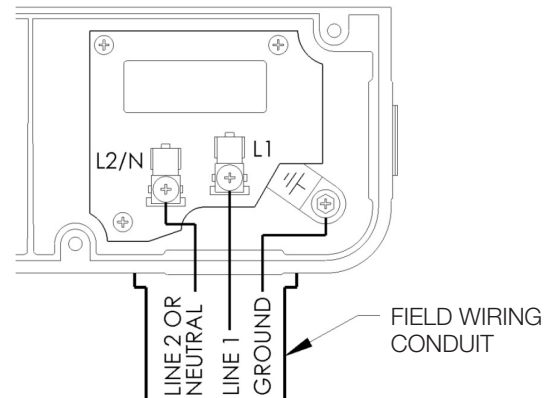
10. Apply power to the system, and proceed to "Configuration Menu", page 17, or see below for details regarding Hayward automation control.

Wiring Diagrams

Input Power Wiring (Required)

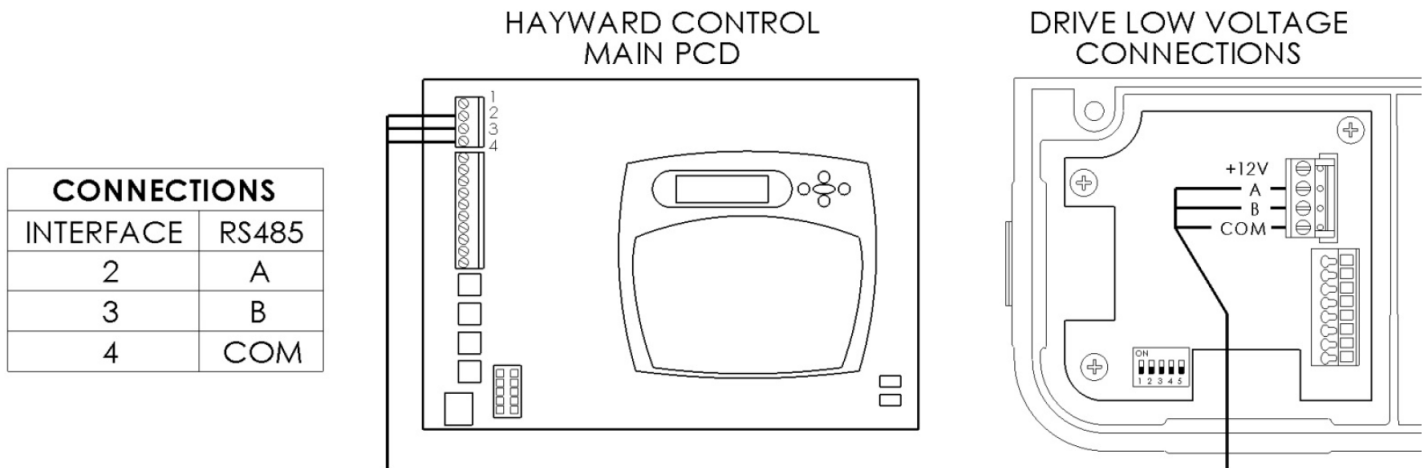
ATTENTION: Route wiring directly from field conduit to terminal block as shown. Do not bundle excess wiring inside drive enclosure.

- Use copper conductors only
- Acceptable for field wiring
- Not suitable for use with rigid metal conduit
- REMOVE TEST LEADS PRIOR TO INSTALL



Hayward Automation Control Wiring (Optional, for remote control of pump speed)

NOTE: For software compatible Hayward controls only. Existing user interface wiring connection (if present) should be unplugged and second terminal block connector should be used to make wiring connections shown below. Refer to your control's manual for wiring information.





This pump can communicate with and be controlled by Hayward pool controls such as OmniLogic™, ProLogic®, ECommand® 4, OnCommand®, OmniHub, S3 Omni, and OmniPL. Minimum software revision requirements: OmniLogic R1.0.0, ProLogic 3.00, OnCommand 1.00, E-Command 2.65, E-Command 4 2.80, AquaLogic 2.65, and AquaPlus 2.65. To determine Hayward control software revision, consult the pool control installation manual or visit our website at: www.haywardpool.com. Connection wire must be rated for a minimum of 300V, and may be up to 500 feet in length. Use removable 4-position terminal block connector for wiring connection to motor drive PCB, taking care to note the wire colors and corresponding numbers next to the connectors. **Terminal block must be installed with screws facing up to ensure proper connection.**

ATTENTION – THIS PUMP CAN ALSO BE SET SO THAT IT WILL CONTINUE RUNNING IN THE EVENT OF COMMUNICATION LOSS. When inputs are activated via wire jumpers, the pump will respond to a communication loss (after a 4 minute delay) as follows:

1. No inputs connected: pump remains stopped
2. INP1 connected: pump runs 3450 rpm for 8 minutes, then 1725 rpm
3. INP2 connected: pump runs 3450 rpm for 8 minutes, then 2600 rpm
4. INP3 connected: pump runs 3450 rpm

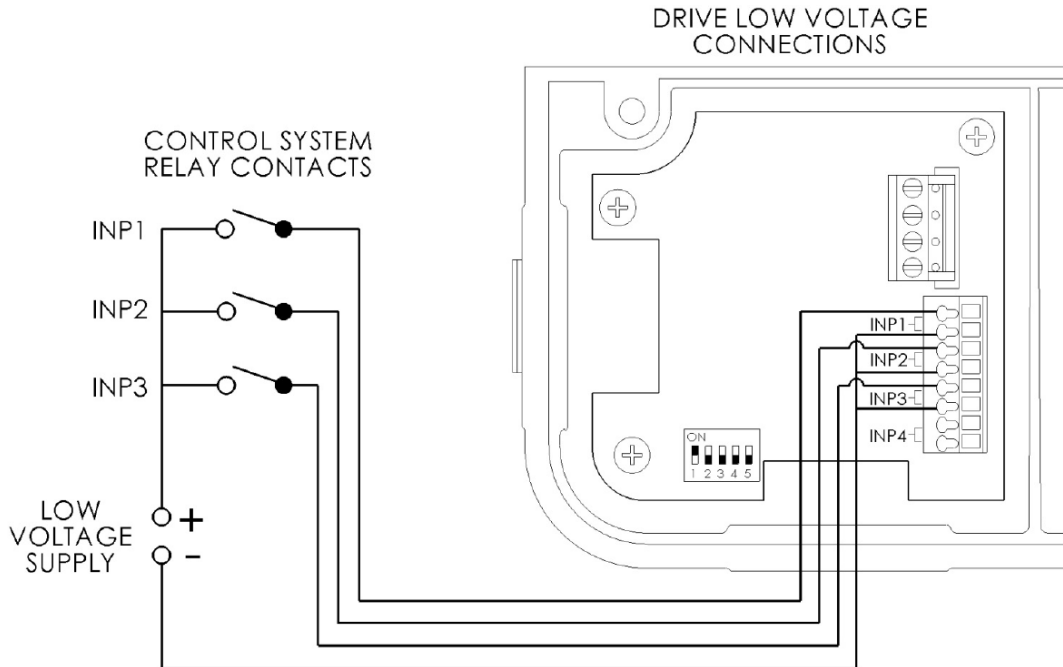
See page 14 for details regarding input connections (relays would not be used when connecting inputs to set comm loss behavior; use short jumpers in this case). Note: Prior to drive comm revision 10.10, pump response was as follows: no inputs connected – pump runs 3450 rpm for 8 minutes then 1725 rpm; INP1 connected – pump runs 3450 rpm for 8 minutes then 2600 rpm; INP2 connected – pump runs 3450; INP3 connected – pump remains stopped. Jumpers, if used to set desired behavior in the event of communication loss, need to be installed at initial pump installation.

When communicating with the Omni family of controls, the HUA (Hayward Unique Address) is used for communication. For all other Hayward controls, the pump address must be set using the DIP switches on the drive PCB. To determine which address should be used, consult the appropriate Hayward pool control installation manual, or visit our website at www.haywardpool.com. Pump addresses are set according to the table below.

DIS SWITCH STATUS					
PUMP ADDRESS	#1	#2	#3	#4	#5
Pool Filter	OFF	OFF	OFF	OFF	OFF
AUX 1 / Spa Filter	OFF	ON	OFF	OFF	OFF
AUX 2	OFF	OFF	ON	OFF	OFF
AUX 3	OFF	ON	ON	OFF	OFF
AUX 4	OFF	OFF	OFF	ON	OFF
AUX 5	OFF	ON	OFF	ON	OFF
AUX 6	OFF	OFF	ON	ON	OFF
AUX 7	OFF	ON	ON	ON	OFF
AUX 8	OFF	OFF	OFF	OFF	ON
AUX 9	OFF	ON	OFF	OFF	ON
AUX 10	OFF	OFF	ON	OFF	ON
AUX 11	OFF	ON	ON	OFF	ON
AUX 12	OFF	OFF	OFF	ON	ON
AUX 13	OFF	ON	OFF	ON	ON
AUX 14	OFF	OFF	ON	ON	ON
Lights Button	OFF	ON	ON	ON	ON

External Relay Speed Control Wiring (Optional, for remote selection of pump speed)

NOTE: For third party controls and Hayward controls that are NOT software compatible.



Connection wire must be rated for a minimum of 300V. Inputs are rated to accept a low voltage supply of 18-30 VAC, 9-30 VDC, 50/60 Hz. The "+12V" and "COM" terminals may be used as a low voltage supply, however, these terminals also supply power to the user interface, so care must be taken when connecting to these terminals to ensure proper operation of the user interface. DIP switch #1 must be "ON".

This pump can be controlled from third party pool controls as well as Hayward controls that are not software compatible using relay contacts to select the speeds set in the Timer Menu (see page 19). In addition to this section you may also consult the applicable pool control installation manual for electrical connection details. Once installed, Remote Control Mode must be set to Relay Control in the pump Configuration Menu (see page 17). Preset Speeds 1-4 and Quick Clean are disabled when the pump is remotely controlled. When inputs INP1-3 are activated via the pool control relay contacts, timer speeds 1-8 are selected according to the following table (see page 19):

Timer Speed	INP 1 Status	INP2 Status	INP3 Status
1	OFF	OFF	OFF
2	ON	OFF	OFF
3	OFF	ON	OFF
4	ON	ON	OFF
5	OFF	OFF	ON
6	ON	OFF	ON
7	OFF	ON	ON
8	ON	ON	ON

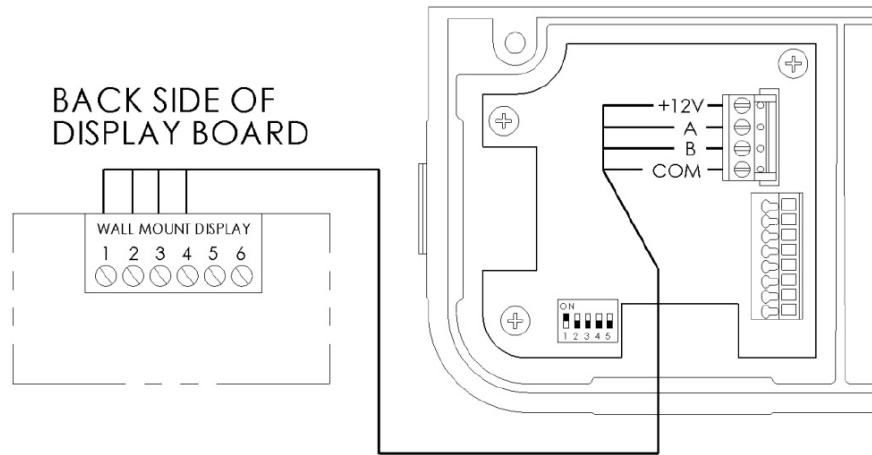
The number of speeds available depends on the number of auxiliary relays used as noted below:

1. Filter pump relay plus 1 auxiliary relay allows control of 2 speeds
2. Filter pump relay plus 2 auxiliary relays allows control of 4 speeds
3. Filter pump relay plus 3 auxiliary relays allows control of 8 speeds

Wall Mounted Digital Control Interface Wiring (Optional)

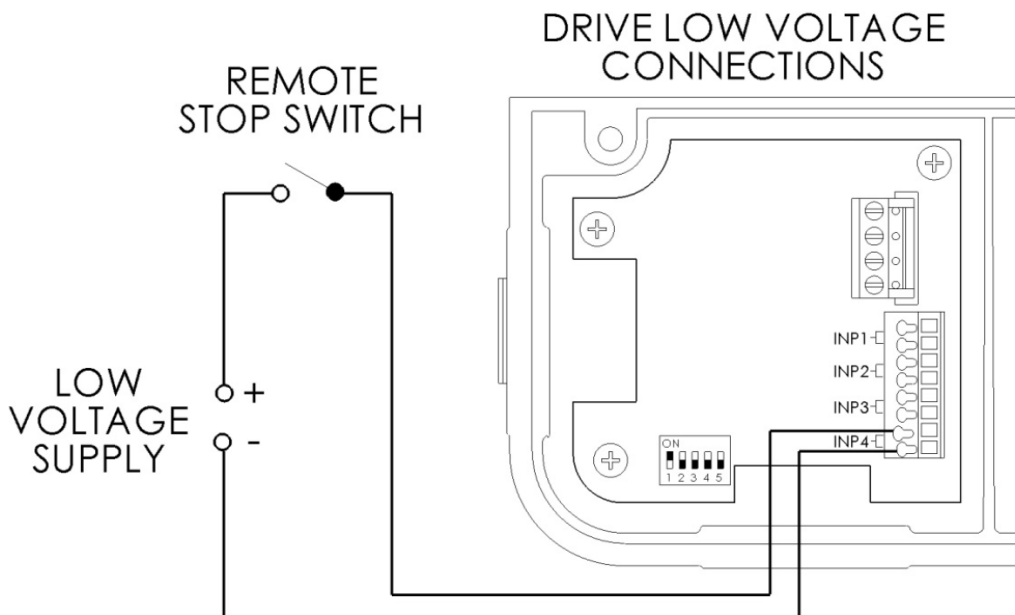
Connection wire must be rated for a minimum of 300V, and may be up to 500 feet in length. Use removable 4-position terminal block connectors for wiring connection to interface and motor drive PCB's taking care to note the wire colors and corresponding numbers next to the connectors. **Terminal block must be installed with screws facing up to ensure proper connection.** DIP switch #1 must be "ON".

CONNECTIONS	
INTERFACE	RS485
1	COM
2	A
3	B
4	+12V



Remote Stop Switch Wiring (Optional)

Connection wire must be rated for a minimum of 300V. Switch must be latching type; pump is stopped when circuit is closed. Inputs are rated to accept a low voltage supply of 18-30 VAC, 9-30 VDC, 50/60 Hz. The "+12V" and "COM" terminals may be used as a low voltage supply, however these terminals also supply power to the user interface, so care must be taken when connecting to these terminals to ensure proper operation of user interface. If the "+12V" and "COM" terminals are used, DIP switch #1 must be "ON".





HAYWARD®

Operation

Prior to Start-Up

If it is necessary to perform a water pressure test prior to initial use to ensure plumbing system is functioning properly, then the following criteria should be maintained for this test:

1. Have a professional perform this test.
2. Ensure all Hayward pump and system components are removed from system prior to performing test.

⚠ WARNING – If circulation equipment must remain in the plumbing system during water pressure test, do not apply more than 10 psi pressure to the system. Be sure water pressure has been released, using the filter manual air relief valve, before removing pump strainer cover.

⚠ WARNING – All suction and discharge valves **MUST** be OPEN, as well as filter air relief valve (if available) on filter, when starting the circulating pump system. Failure to do so could result in severe personal injury.

Starting/Priming the Pump

Refer to item #10 on page 18 for priming time selection. Fill strainer housing with water to suction pipe level. If water leakage occurs from anywhere on the pump or filter, DO NOT start the pump. If no leakage occurs, stand at least 10 feet from pump and/or filter and proceed with starting the pump.

⚠ WARNING – Return to filter to close filter manual air relief valve when a steady stream of water (not air or air and water) is discharged from valve. Failure to do so could result in severe personal injury.

⚠ ATTENTION – NEVER OPERATE THE PUMP WITHOUT WATER. Water acts as a coolant and lubricant for the mechanical shaft seal. NEVER run pump dry. Running pump dry may damage seals, causing leakage, flooding, and voids warranty. Fill strainer housing with water before starting motor.

⚠ ATTENTION – Do NOT add chemicals to pool/spa system directly in front of pump suction. Adding undiluted chemicals may damage pump and voids warranty.

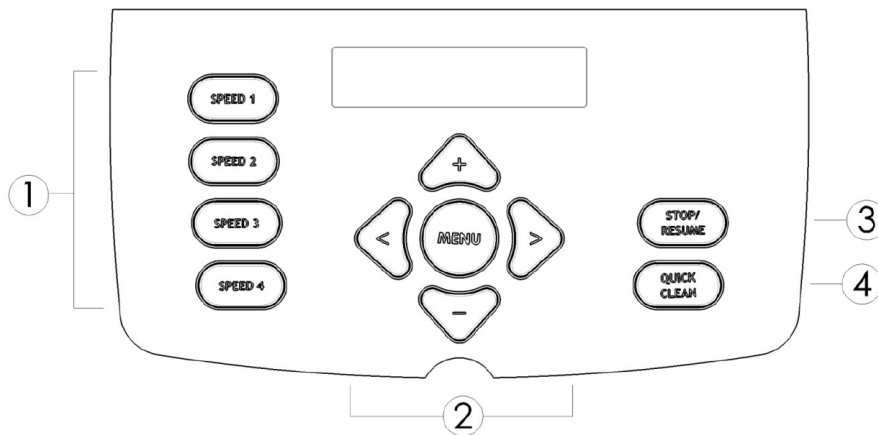
⚠ ATTENTION – Before removing strainer cover:

1. STOP PUMP before proceeding.
2. CLOSE VALVES in suction and outlet pipes.
3. RELEASE ALL PRESSURE from pump and piping system using filter manual air relief valve. See filter owner's manual for more details.
4. Remove strainer cover and fill strainer housing with water.
5. Clean and lubricate strainer cover O-ring with "Jack's 327" if necessary.
6. Replace strainer cover on strainer housing.
7. OPEN VALVES in suction and outlet pipes.

NOTE: Tighten strainer cover lock ring by hand only (no wrenches).

Turn on power and wait for pump to prime, which can take up to ten (10) minutes. Priming time will depend on vertical length of suction lift and horizontal length of suction pipe. If pump does NOT prime within 10 minutes, stop motor and determine cause. Be sure all suction and discharge valves are open when pump is running. See Troubleshooting Guide.

User Interface Summary



1. **Preset Speeds:** Buttons labeled SPEED 1 thru SPEED 4 can be used to run the pump at a predetermined speed until the next programmed timer is scheduled to begin. Preset Speed settings can be quickly updated using the + and - arrow buttons to change the speed and then pressing the > button to save the new speed setting if desired.
 - a. Default Speeds:
 - Speed 1: 1150 rpm
 - Speed 2: 1725 rpm
 - Speed 3: 2300 rpm
 - Speed 4: 2875 rpm
2. **Menu/navigation buttons:** The MENU button will scroll through the setup menus when pressed. The < and > arrow buttons are used to move between displays and to select parameters to edit, and the + and - arrow buttons are used to change parameters.
3. **Stop/Resume:** This button is used to stop the pump to allow strainer basket cleaning, etc. When this button is pressed, the pump will remain stopped until the button is pressed a second time to resume normal operation.
4. **Quick Clean:** QUICK CLEAN is a mode intended for use when the pool will be cleaned with a suction side vacuum.

Menu Outline

1. **Configuration Menu** (see page 17 for basic product configuration)
 - a. Display Language
 - b. Set Day and Time
 - c. Speed Selection
 - d. Max Allowed Speed
 - e. Min Allowed Speed
 - f. Prime Duration
 - g. Remote Control Mode
 - h. Low Temp Operation
 - i. Low Temp Setting
 - j. Password Protection
 - k. Password Timeout
 - l. Set Password
2. **Timer Menu** (see page 19 to program the 8 speeds with timer functions)
 - a. Rename Timer "X" (where "X" equals 1 through 8)
 - b. Pump Speed for Timer "X" (where "X" equals 1 through 8)
 - c. Start/Stop Time for Timer "X" (where "X" equals 1 through 8)
 - d. Choose Days for Timer "X" (where "X" equals 1 through 8)



3. **Preset Speed Setup Menu** (see page 20 to program the 4 preset speeds)
 - a. Speed "X" Name (where "X" equals 1 through 4)
 - b. Speed "X" Speed (where "X" equals 1 through 4)
4. **Diagnostics Menu** (see page 21 to view product diagnostic information)
 - a. Display Firmware Revision
 - b. Drive Serial Number
 - c. Motor Drive Firmware Revisions
 - d. Event Log (if applicable)

Initial startup

After plumbing and wiring are complete, the variable speed drive must be configured prior to use. When power is applied to the drive for the first time, the following informational screens are displayed.

	<u>Screen</u>
1.	Hayward Variable Speed Pump
2.	Thursday 1:27p 1725rpm 380 Watts
3.	Timer 1 timer will end at 11:45p

NOTE: Speeds can be selected at this time to temporarily run the pump, however, it is recommended that the drive configuration and timers be set according to individual installation site requirements (see page 19 for more details). At this point, pressing the MENU button will select the Configuration Menu.

Configuration Menu

	<u>Screen</u>	<u>Buttons Used</u>	<u>Comments</u>
1.	Configuration Menu Locked	< >	Press and hold < and > buttons for several seconds to unlock the Configuration Menu.
2.	Configuration Menu press > to enter	< >	Use the > button to enter the Configuration Menu.
3.	press +/- to change or > view next item		
4.	Display Language English	+ - < >	Select language for all displayed messages. Move to next menu item.
5.	Time: Th 1:27PM + change or > skip	+ - < >	Use + button to change clock setting. Use > if clock is correct.



	<u>Screen</u>	<u>Buttons Used</u>	<u>Comments</u>
6.	Set Day and Time Thursday 1:27p	+ - < >	Adjust day/time setting. Move to next selection, then move to next menu item.
7.	Speed Selection rpm	+ - < >	Select pump speed display: rpm (revolutions per minute) or % of full speed. Move to next menu item.
8.	Max allowed speed 3450 (600-3450rpm)	+ - < >	Set maximum running speed of pump. Move to next menu item.
9.	Min allowed speed 600 (600-3450rpm)	+ - < >	Set minimum running speed of pump. Move to next menu item.
10.	Prime Duration 8:00 minutes	+ - < >	Select pump prime duration. Move to next menu item.

NOTE: User may set the pump to prime at the maximum allowed speed for 0-15 minutes in 30 second increments.

11.	Remote Control Mode Stand Alone	+ - < >	Select Stand Alone or Relay Control. Move to next menu item.
-----	------------------------------------	------------	---

NOTE: See page 13 for more detail.

12.	Low Temp Operation Disabled	+ - < >	Enable or Disable Low Temp Operation. Move to next menu item.
13.	Low Temp Setting 4°C (39.2°F)	+ - < >	Set temperature to activate Low Temp Operation. Move to next menu item.

NOTE: When the pump is stopped and the ambient temperature drops below the operation temperature set point, the pump will prime and then run at the Max allowed speed setting for 8 hours. Low temperature operation is not active when the pump is being remotely controlled. **Low temperature operation is NOT intended to protect the pump, system plumbing, or pool from freezing.** If Low Temp Operation is disabled, the temperature setting screen is not shown.

14.	Password Protection Disabled	+ - < >	Use to enable or disable password protection. Move to next menu item.
15.	Password Timeout 0:15	+ - < >	Use to set password timeout. Move to next menu item.

NOTE: This sets the amount of time from the last button activation after the system has been unlocked to the point where the system becomes locked again.

16.	System Password + change or > skip	+ - < >	Use to set password timeout. Move to next menu item.
-----	---------------------------------------	------------	---



	<u>Screen</u>	<u>Buttons Used</u>	<u>Comments</u>
17.	<div style="border: 1px solid black; padding: 5px; text-align: center;"> Set Password 0 ____ </div>	+ - < >	Use to set selected password character. Move to next password character/next menu item.
18.	<div style="border: 1px solid black; padding: 5px; text-align: center;"> Confirm Password 0 ____ </div>	+ - < >	Use to set selected password character. Move to next password character/next menu item.

NOTE: If the new password is not confirmed correctly, then the user will be prompted again to confirm the password. If a mistake is made when entering the password, pressing Stop/Resume will cancel the action.

After a password has been set, follow the procedure below to unlock the system from the Home screen.

19.	<div style="border: 1px solid black; padding: 5px; text-align: center;"> System Locked Password: 0 ____ </div>	+ - < >	Use to set selected password character. Move to next password character.
-----	---	------------	---

NOTE: When password protection is enabled and the timeout has elapsed, the user will be prompted to enter the password to unlock the display when any of the display buttons (other than Stop/Resume) are selected. The user may use Stop/Resume to stop the pump and resume normal operation without having to enter the password. The factory default password is 1234. If the password has been changed, it may be reset to factory default by pressing and holding the Speed 1 and Speed 4 buttons at the same time while powering on the drive, or by resetting all parameters in the Configuration Menu. If a mistake is made when entering the password, pressing Stop/Resume will cancel the action. If the pump is being controlled by a Hayward or third party pool control, the pump display can be locked by the password, however, the pump will respond to any and all commands being sent from the pool control.

20.	<div style="border: 1px solid black; padding: 5px; text-align: center;"> Reset all settings? + yes or - no </div>	+ - < >	Use + button to reset to factory default settings. Use > button to skip reset.
21.	<div style="border: 1px solid black; padding: 5px; text-align: center;"> Are you sure? + yes or - no </div>	+ - < >	Confirm reset of all parameters. Move to next menu item.
22.	<div style="border: 1px solid black; padding: 5px; text-align: center;"> Use Timers Menu to set daily timers </div>		

Timers Menu

	<u>Screen</u>	<u>Buttons Used</u>	<u>Comments</u>
1.	<div style="border: 1px solid black; padding: 5px; text-align: center;"> Timer Menu Press > to enter </div>	< >	Use > button to enter Timer Menu.
2.	<div style="border: 1px solid black; padding: 5px; text-align: center;"> Press +/- to change or > to view next item </div>		
3.	<div style="border: 1px solid black; padding: 5px; text-align: center;"> Timer 1 1725rpm 12:00a to 11:45p </div>		
4.	<div style="border: 1px solid black; padding: 5px; text-align: center;"> Press + to change or > next timer </div>	+ - < >	Use + button to change displayed timer. Use > button to skip to next timer.



	<u>Screen</u>	<u>Buttons Used</u>	<u>Comments</u>
5.	T1: Timer 1 +/- rename; speed >	+ - < >	Use + button to rename timer. Use > button to set motor speed for timer.
6.	Timer 1 1725rpm +/- adjust; times >	+ - < >	Use to set speed for timer. Use > button to set start/stop time.
7.	Timer 1 1725rpm 8:00a to 6:00p	+ - < >	Use to set start/stop time for timer. Use > to choose days of operation for timer.
8.	Choose Days 7D 7 days a week	+ - < >	Use to choose days of operation for timer. Move to next menu item.

NOTE: When start/stop times are set to be the same, the timer is deactivated. Each timer can be set to run on specific days of the week. Options are to run 7 days per week, 5 days per week (Monday thru Friday), or on a single day (Monday thru Sunday). Each timer is set up in this same manner. If the timers are set up such that their run times overlap, the timers will run in priority from Timer 1 to Timer 8. In other words, if Timer 1 is set to run from 8:00 am to 12:00 pm, and Timer 2 is set to run from 10:00 am to 2:00 pm, the pump will run Timer 1 from 8:00 am to 12:00 pm, and will then switch to run Timer 2 until 2:00 pm. Default setting for Timer 1 is to start at 12:00 am, and end at 11:45 pm. When Remote Control Mode is set to Relay Control, the speed for Timer 1 may be set to 0 rpm to allow the pump to be stopped without having to remove power.

Preset Speed Setup Menu

	<u>Screen</u>	<u>Buttons Used</u>	<u>Comments</u>
1.	Speeds Menu Press > to enter	< >	Use > button to enter Speeds Menu.
2.	Press +/- to change or > view next item		
3.	Speed 1 1150rpm		
4.	Press + to change or > next speed	+ - < >	Use to change displayed speed. Move to next menu item.
5.	S1: Speed 1 +/- rename; > speed	+ - < >	Use to rename speed. Move to next menu item.
6.	Speed 1 1725rpm +/- adjust	+ - < >	Use to set motor speed for displayed speed. Move to next menu item.

NOTE: Preset Speed settings can also be quickly updated without entering the Speeds Menu using the + and - arrow buttons to change the speed and then pressing the > button to save the new speed setting.



Diagnostic Menu

	<u>Screen</u>	<u>Buttons Used</u>	<u>Comments</u>
1.	Diagnostic Menu Press > to enter	< >	Use > button to enter Diagnostic Menu and toggle between displays.
2.	Press > to view next item		
3.	Display Revision 2.00		Displays firmware version of the display PCB.
4.	Drive Serial Number 3581200032		Displays motor drive serial number.
5.	Comm Rev: 10.10 Drv Rev: 2.00.65		Displays firmware revisions of the motor drive and drive interface PCBs.
6.	Event Log Press > to view	< >	Use > button to view event log.

NOTE: For troubleshooting purposes, the Event Log will record the last twenty error/trip conditions and/or status messages, as well as the amount of time that has elapsed since the condition occurred. See page 26 for more detail.

Stop/Resume

	<u>Screen</u>
1.	Pump is stopped; press Stop/Resume
2.	again to resume normal operation

NOTE: When Stop/Resume is pressed at any time during normal operation, the above message will be displayed. The pump will stop within several seconds, and will remain stopped until Stop/Resume is pressed a second time, at which point the pump will resume normal operation.

Quick Clean

	<u>Screen</u>
1.	Quick Clean Quick Clean running
2.	Quick Clean 3450 rpm for 60 min;



3.

Quick Clean
press Resume to end

NOTE: The above message will be displayed while Quick Clean is running. Quick Clean mode runs at the Max allowed speed and expires after 60 min, and it may be cancelled early by pressing the Stop/Resume button, at which time the pump would return to normal operation. Quick Clean can be extended up to 360 minutes with additional presses of the Quick Clean button.

Remote Stop

Screen

1.

Remote Stop
is engaged

NOTE: The above message will be displayed when an installed remote stop switch is activated. The pump will remain stopped until the remote stop switch is deactivated. See page 14 for more detail.

Maintenance

- Clean strainer basket regularly. Do NOT strike basket. Inspect cover gasket regularly and replace as necessary.
- Hayward pumps have self-lubricating motor bearings and shaft seals. No lubrication is necessary.
- Keep motor clean. Keep motor air vents free of obstructions to avoid damage. Do NOT use water to hose off motor.
- Occasionally, shaft seals must be replaced, due to wear or damage. Replace with genuine Hayward seal assembly kit. See “Shaft Seal Change Instructions” in this manual.

Storage/Winterization

⚠ WARNING – Separation Hazard. Do not purge the system with compressed air. Purging the system with compressed air can cause components to explode, with risk of severe injury or death to anyone nearby. Use only a low pressure (below 5 PSI), high volume blower when air purging the pump, filter, or piping.

⚠ ATTENTION – Allowing the pump to freeze with water in it will void the warranty.

⚠ ATTENTION – Use ONLY propylene glycol as antifreeze in your pool/spa system. Propylene glycol is nontoxic and will not damage plastic system components; other anti-freezes are highly toxic and may damage plastic components in the system.

Drain all water from pump and piping when expecting freezing temperatures or when storing pump for a long time (see instructions below). Gravity drain system as far as possible.

Keep motor dry and covered during storage. To avoid condensation/corrosion problems, do NOT cover or wrap pump with plastic film or bags.

Storing Pump for Winterization

⚠ WARNING – To avoid dangerous or fatal electrical shock hazard, turn OFF power to motor before draining pump. Failure to disconnect power may result in serious personal injury or death.

1. Drain water level below all inlets to the pool.
2. Remove drain plugs and strainer cover from strainer housing (see parts diagram on page 24 for pump component locations).
3. Disconnect pump from mounting pad, wiring (after power has been turned OFF), and piping.
4. Once the pump is fully drained of water, re-install the strainer cover and drain plugs. Store pump in a dry area.



HAYWARD®

Shaft Seal Change Instructions

When servicing electrical equipment, basic safety precautions should always be observed including the following. Failure to follow instructions may result in injury.

⚠ WARNING – To reduce risk of injury, do not permit children to use this product.

- Disconnect all electrical power service to pump before beginning shaft seal replacement.
- Only qualified personnel should attempt rotary seal replacement. Contact your local authorized Hayward Dealer or service center if you have any questions.
- Refer to page 24 for pump component locations.

Exercise extreme care in handling both the rotating and the stationary sections of the two-part replacement seal. Foreign matter or improper handling will easily scratch the graphite and ceramic sealing surfaces.

Removing the Motor Assembly

1. Remove the four (4) 3/8" x 2" hex head bolts, which hold the motor assembly to the pump/strainer housing, using a 9/16" wrench or socket.
2. Slide the motor assembly out of the pump/strainer housing, exposing the diffuser. Pull the diffuser off of the seal plate to expose the impeller.

Removing the Impeller

3. To prevent the motor shaft from turning, secure using a 5/16" hex wrench on the motor shaft through the fan shroud on the back of the pump.
4. Remove the impeller by rotating counterclockwise.

Removing the Ceramic Seat

5. Remove the spring seal assembly from the impeller and remove the seal plate from the motor.
6. Press the ceramic seat with rubber cup out of the seal plate. If tight, use a small screwdriver to tap seal out.

STOP - Clean all recesses & parts to be reassembled. Inspect gaskets & replace if necessary.

Seal Installation

7. Clean and lightly lubricate the motor shaft and seal recesses in the seal plate with a dilute solution of nongranulated liquid-type soap. Gently wipe the polished face of the ceramic seal with a soft cotton cloth. Lubricate the rubber cup on the ceramic seat and press it firmly into the recess of the seal plate, with the polished ceramic surface facing out.
8. Reassemble the motor to the seal plate.
9. Gently wipe the black, polished surface of the spring seal assembly with a soft cotton cloth.
10. Press the spring seal assembly onto the impeller shaft, with the black polished surface facing the ceramic seat.

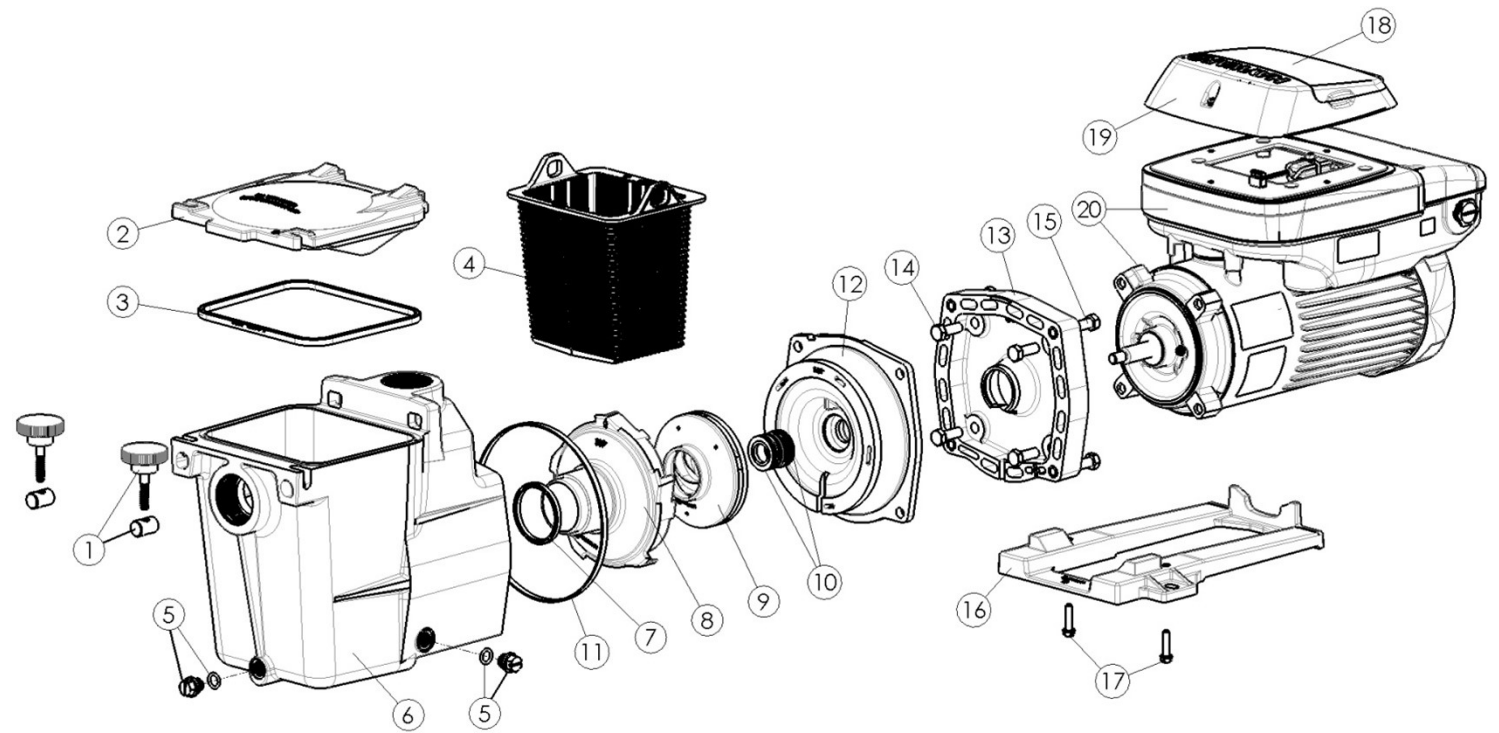
Replacing the Impeller and Diffuser

11. Screw the impeller onto the motor shaft in a clockwise direction. Tighten snugly by holding motor shaft with wrench as noted in step #3.
12. Place the diffuser over the impeller and onto the seal plate.

Replacing the Motor Assembly

13. Slide the motor assembly, with the diffuser in place, into pump/strainer housing, being careful not to disturb the diffuser gasket.
14. Fasten assembly to pump/strainer housing using the four (4) 3/8" x 2" bolts. (Be sure housing gasket is in place, and lubricated. Replace if damaged). Tighten bolts alternately and evenly to 80 inch-pounds. Looking at the back of the pump, start with the top right, move diagonal to the bottom left, then up to the top left and last across to the bottom right.

Replacement Parts



No.	Part Number	Description	Qty.	No.	Part Number	Description	Qty.
1	SPX1600PN	Swivel Nut & Hand Knob	2	13	SPX1600F5	Motor Mounting Plate	1
2	SPX1600D	Strainer Cover	1	14	SPX0125z44	Motor Cap Screws (Set of 4)	1
3	SPX1600S	Strainer Cover Gasket	1	15	SPX1600Z4	Housing Cap Screw	4
4	SPX1600M	Basket	1	16	SPX2600GV	Mounting Foot, VSP (Includes Screws)	1
5	SPX4000PG	Drain Plug with Gasket	2	17	SPX1600Z52	Mounting Foot Screws (Set of 2)	1
6	SPX1620AA	Pump Strainer Housing With Gasket	1	18	SPX3400DR4	Motor Drive Display Cover (Cover Only)	1
7	SPX1600R	Diffuser Gasket	1	19	SPX3200LCD	Digital Control Interface Assembly	1
8	SPX2600B	Diffuser	1	-	SPX3400DRKIT	Wall Mount Kit	1
9	SPX2610C	Impeller	1	-	SPX3200DRCC	Comm Cable Kit	1
10A	SPX1600Z2	Shaft Seal Assembly	1	-	SPXHKIT3	Quick Fix Kit (Includes #3, 7, 10A, 11 & Jack's Lube)	1
10B	SPX1600Z2VIT	Shaft Seal Assembly (Viton)	1		POWER END		
11	SPX1600T	Housing Gasket	1	20	SPX2603Z1VSPE	Power End Assembly (Includes #7-14, Motor & Drive)	1
12	SPX2600E5	Seal Plate	1				



HAYWARD®

Troubleshooting

General Problems

- **Motor Will NOT Start:**
 1. Make sure the terminal board connections agree with the wiring diagram on the pump data plate label.
 2. Be sure the pump is wired for the available field supply voltage.
 3. Check for and correct any improper or loose wiring connections; open switches or relays; tripped circuit breakers, or blown fuses.
 4. Manually check the rotation of the motor shaft for free movement and lack of obstruction. Correct if necessary.

- **Motor Shuts OFF:**
 1. Check for low voltage or power drop at the motor (frequently caused by undersized wiring). Contact a qualified professional to verify the electrical connections.

- **Motor Hums, But Does NOT Start:**
 1. Impeller jammed with debris. Have a qualified repair professional open the pump and remove the debris.

- **Pump Won't Prime:**
 1. Empty pump/strainer housing. Make sure the pump/strainer housing is filled with water and the cover oring is clean. Ensure the o-ring is properly seated in the cover o-ring groove. Ensure the o-ring sealing surface is lubricated with "Jack's 327" and that the strainer cover is locked firmly in position. Lubricant will help to create a tighter seal.
 2. Loose connections on the suction side. Tighten the pipe/union connections. NOTE: Any self-priming pump will not prime if there are suction air leaks. Leaks will result in bubbles emanating from the return fittings on the pool wall.
 3. Leaking O-ring or packing glands on valves. Tighten, repair, or replace the valves.
 4. Strainer basket or skimmer basket loaded with debris. Remove the strainer housing cover or the skimmer cover. Clean the basket, and refill the strainer housing with water. Tighten the cover.
 5. Suction side clogged. Contact a qualified repair professional. You should have 5" - 6" of vacuum at the strainer cover (your pool dealer can confirm this with a vacuum gauge). You may be able to check by removing the skimmer basket and holding an object over the bottom port with the skimmer full and the pump running. If no suction is felt, check for line blockage.
 - a. If the pump develops a vacuum, check for a blocked suction line or a dirty strainer basket. An air leak in the suction piping may be the cause.
 - b. If the pump does not develop a vacuum and the pump has sufficient "priming water":
 - i. Re-check the strainer housing cover and all threaded connections for suction leaks. Check if all system hose clamps are tight.
 - ii. Check voltage to ensure that the motor is rotating at full rpm's.
 - iii. Open the housing cover and check for clogging or obstruction in suction. Check the impeller for debris.
 - iv. Remove and replace the shaft seal only if it is leaking.

- **Low Flow – Generally:**
 1. Clogged or restricted strainer or suction line. Contact a qualified repair professional.
 2. Undersized pool piping. Correct the piping size.
 3. Plugged or restricted discharge line of filter, valve partially closed (high gauge reading). Sand filters – backwash as per manufacturer's instructions; D.E. filters – backwash as per manufacturer's instructions; Cartridge filters – clean or replace the cartridge.
 4. Air leak in suction (bubbles issuing from return fittings). Re-tighten the suction and discharge connections using PTFE tape. Inspect other plumbing connections, and tighten as required.
 5. Plugged, restricted, or damaged impeller. Replace the impeller including a new seal assembly.

- **Noisy Pump:**
 1. Air leak in suction piping, cavitations caused by restricted or undersized suction line or leak at any joint, low water level in pool, and unrestricted discharge return lines. Correct the suction condition or throttle return lines, if practical. Holding your hand over the return fitting will sometimes prove this, or by putting in a smaller eyeball fitting.
 2. Vibration due to improper mounting, etc. Mount the pump on a level surface and secure the pump to the equipment pad.
 3. Foreign matter in the pump housing. Loose stones/debris hitting the impeller could be the cause. Clean the pump housing.
 4. Motor bearings noisy from normal wear, rust, overheating, or concentration of chemicals causing seal damage, which will allow chlorinated water to seep into bearings wiping out the grease causing bearing to whine. All seal leaks should be replaced at once.



- **Interference With Home Automation/Power Line Communication Equipment:**
 1. Make sure the terminal board connections agree with the wiring diagram on the pump data plate label.
 2. Check for and correct any improper or loose wiring connections.
 3. Install noise filter (from home automation/power line communication equipment vendor) to prevent equipment interference.

Check System Messages

Code	Troubleshooting
Check System DC voltage too high	Indicates that the internal DC bus voltage is too high. Verify that line voltage is within 10% of pump rated voltage at the terminal block.
Check System DC voltage too low	Indicates that the internal DC bus voltage is too low. Verify that line voltage is within 10% of pump rated voltage at the terminal block. Also, verify that power supply connections are properly made at the circuit breaker as well as at the terminal block.
Check System Drive is overheated	Indicates that the internal components of the drive have become overheated. Motor airflow path should be checked for obstructions and cleared if present. Check ambient temperature and verify against motor nameplate (50°C/122°F).
Check System Drive overload	Indicates that motor current is too high. Check impeller, diffuser, shaft seal, and motor for any issues or binding.
Check System Pump has stalled	Indicates that the drive has lost control over motor shaft rotation. Check impeller, diffuser, shaft seal, and motor for any issues or binding.
Check System Pump failed to start	Indicates that the drive was not able to start the motor. Check impeller, diffuser, shaft seal, and motor for any issues or binding.
Check System Motor phase lost	Indicates that one of the motor phases is open and that the motor/drive may need to be replaced. Contact Hayward Technical Service for additional assistance.
Check System Processor failed	Indicates that there is a problem with the processor in the motor/drive, and that the motor/drive may need to be replaced. Contact Hayward Technical Service for additional assistance.
Check System Communication failed	Indicates that there are communication problems between the user interface and motor/drive. Connections between the user interface and motor/drive should be verified.
Check System Memory failed	Indicates that the drive memory has been damaged or corrupted, and that the motor/drive may need to be replaced. Contact Hayward Technical Service for additional assistance.
Check System Drive comm failed	Indicates that there are communication problems inside the motor/drive, and that the motor/drive may need to be replaced. Contact Hayward Technical Service for additional assistance.
Check System Error code XX	Indicates that the user interface is receiving an error from the motor/drive that it does not understand. Contact Hayward Technical Service for additional assistance.

NOTE: All errors can be manually reset by pressing Stop/Resume when the error message is shown, or by cycling power applied to the pump after the error has occurred. Under certain circumstances, the "Drive overload" error can only be reset by cycling power applied to the pump. If the troubleshooting steps listed above do not help to resolve the error condition, then the problem may be internal to the motor/drive. Contact Hayward Technical Service at (908) 355-7995 for additional assistance.

FCC Compliance Statement:

This device complies with part 15 of the FCC rules. Operation is subjected to the following two conditions: (1) This device may not cause harmful interference, and (2) this device must accept any interference received, including interference that may cause undesired operation.

This equipment has been tested and found to comply with limits for a Class B digital device, pursuant to Part 15 of the FCC rules. These limits are designed to provide reasonable protection against harmful interference in residential installations. This equipment generates, uses, and can radiate radio frequency energy, and if not installed and used in accordance with the instructions, may cause harmful interference to radio communications.

However, there is no guarantee that interference will not occur in a particular installation. If this equipment does cause interference to radio or television equipment reception, which can be determined by turning the equipment off and on, the user is encouraged to try to correct the interference by one of more of the following measures:

- Reorient or relocate the receiving antenna.
- Move the equipment away from the receiver.
- Plug the equipment into an outlet on a circuit different from that to which the receiver is connected.
- Consult the dealer or an experienced radio/television technician for additional suggestions.

For further information or consumer
technical support, visit our website at
www.hayward.com
US: 908-355-7995



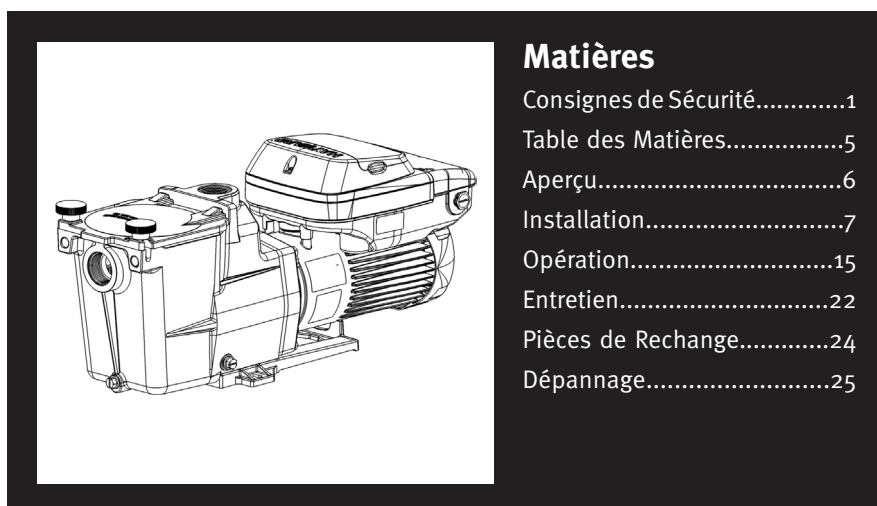
Hayward is a registered trademark
of Hayward Industries, Inc. © 2024 Hayward Industries, Inc.

All other trademarks not owned by Hayward are the property of their respective owners. Hayward is not in any way
affiliated with or endorsed by those third parties. For patent information, refer to www.hayward.com/patents.



Famille de Pompes À Vitesse Variable THP 1.65

Manuel du Propriétaire



HL2670020VSP
 SPX2603Z1VSPE
 SP2670020VSP
 W3SP2603VSP

Hayward Pool Products Canada
 2880 Plymouth Drive
 Oakville, ON L6H 5R4
 Téléphone : 1-888-238-7665
www.haywardpiscine.ca



HAYWARD®

CONSIGNES DE SÉCURITÉ IMPORTANTES



Les mesures de sécurité de base doivent être toujours respectées, notamment les éléments suivants : Négliger de respecter ces consignes peut entraîner des blessures.

⚠ Le symbole d'alerte à la sécurité. Lorsque vous voyez ce symbole sur votre pompe ou dans le présent manuel, il sera accompagné de l'un ou l'autre des mots suivants. Soyez conscient du risque potentiel de blessures.

⚠ AVERTISSEMENT vous indique des dangers qui pourraient entraîner des blessures graves, la mort ou des dégâts matériels majeurs et s'il est ignoré, présente un risque potentiel.

⚠ MISE EN GARDE vous indique qu'il y a un risque pouvant entraîner des blessures mineures ou modérées et/ou des dégâts matériels et si elle est ignorée, présente un risque potentiel. Ce symbole informe également le consommateur des actions imprévisibles et non sécuritaires.

L'étiquette **AVIS** indique des instructions particulières qui sont importantes, mais ne sont pas liées aux risques.

⚠ AVERTISSEMENT – Veuillez lire et suivre toutes les instructions dans le présent manuel du propriétaire et sur l'équipement. Le non-respect des instructions peut entraîner des blessures graves et/ou la mort.

⚠ AVERTISSEMENT – Ce produit doit être installé et entretenu seulement par une personne qualifiée.

⚠ MISE EN GARDE – Tout le câblage électrique DOIT être conforme à tous les codes locaux et réglementations locales applicables, et au Code électrique national (NEC).

L'UTILISATION DE PIÈCES DE RECHANGE QUI NE SONT PAS DE MARQUE HAYWARD ANNULE LA GARANTIE.

À L'ATTENTION DE L'INSTALLATEUR — LE PRÉSENT MANUEL CONTIENT DES INFORMATIONS IMPORTANTES SUR L'INSTALLATION, LE FONCTIONNEMENT, L'UTILISATION SÛRE DE CETTE POMPE À VITESSE VARIABLE, QUI DOIT ÊTRE FOURNI À L'UTILISATEUR FINAL DE CE PRODUIT. LE MANQUEMENT À LIRE ET À RESPECTER TOUTES LES INSTRUCTIONS POURRAIT ENTRAÎNER DES BLESSURES GRAVES.


⚠ AVERTISSEMENT – Afin de réduire le risque des blessures, ne pas laisser les enfants utiliser ce produit ou grimper dessus. Superviser étroitement les enfants à tout moment. Les composants tels que le système de filtration, les pompes, et les réchauffeurs doivent être positionnés de façon à empêcher que les enfants les utilisent comme un moyen d'accès à la piscine.

⚠ MISE EN GARDE – Cette pompe est conçue pour une utilisation dans des piscines installées de façon permanente et peut également être utilisée avec des cuves thermales si elle comporte une telle indication. À NE PAS utiliser avec des piscines démontables. Une piscine installée de façon permanente est construite dans ou sur le sol ou dans un bâtiment de façon à ce qu'elle ne soit pas facilement démontée pour l'entreposage. Une piscine démontable est construite de façon à ce qu'elle puisse être facilement démontée pour l'entreposage et rassemblée dans son intégrité originale. Bien que ce produit soit conçu pour une utilisation extérieure, il est fortement recommandé de protéger les composants électriques du climat. Sélectionner une zone bien drainée, qui n'est pas inondée lorsqu'il pleut. Elle requiert une circulation libre de l'air pour le refroidissement. Ne pas installer la pompe dans un emplacement humide ou non ventilé. Si elle est installée dans un boîtier extérieur ou sous la jupe d'une cuve thermale ou d'un bain à remous, une ventilation adéquate et une circulation libre de l'air doivent être fournies afin d'éviter la surchauffe du moteur.


Pour plus d'informations sur la garantie, veuillez consulter www.hayward.com/warranty.

CONSERVEZ CES INSTRUCTIONS

⚠ AVERTISSEMENT – Les composants pour piscine et bain à remous (joints, joints d'étanchéité, etc.) ont une durée de vie limitée. Tous les composants doivent être inspectés fréquemment et remplacés au moins tous les dix ans, ou s'ils sont endommagés, cassés, fissurés, absents ou s'ils ne sont pas fixés solidement.

 **⚠ AVERTISSEMENT – Risque de décharge électrique.** Tout le câblage électrique DOIT être conforme à tous les codes locaux et réglementations locales applicables, et au Code électrique national (NEC). La tension dangereuse peut causer l'électrocution, des brûlures, la mort et des dommages matériels graves. Afin de réduire le risque de décharge électrique, NE PAS utiliser une rallonge pour raccorder la pompe à une source d'alimentation électrique. Ayez une prise électrique correctement située. Avant de travailler sur la pompe ou le moteur, débrancher l'alimentation électrique vers la pompe.



⚠ AVERTISSEMENT – Afin de réduire le risque de décharge électrique, remplacer immédiatement les câbles endommagés. Localiser le conduit afin d'éviter les dommages causés par des tondeuses, des taille-haies ou d'autres équipements.

 **⚠ AVERTISSEMENT – Risque de décharge électrique.** Conformément au Code électrique national (NEC), raccorder seulement à un circuit de dérivation protégé par un disjoncteur de fuite à la terre (DDFT). Contactez un électricien qualifié si vous ne pouvez pas vérifier que le circuit est protégé par un DDFT. La pompe doit être branchée uniquement sur un circuit d'alimentation qui est protégé par un disjoncteur de fuite à la terre (DDFT). Un tel DDFT doit être fourni par l'installateur et doit être testé de façon régulière. Pour tester le DDFT, appuyer sur la touche de test du circuit. Le DDFT devrait interrompre le courant. Appuyer sur la touche de réinitialisation. Le courant devrait être rétabli. Si le DDFT ne fonctionne pas de cette façon, le DDFT est défectueux. Si le DDFT interrompt le courant vers la pompe sans aucune pression sur la touche de test, un courant de masse circule, indiquant la possibilité d'une décharge électrique. Ne pas utiliser cette pompe. Débrancher la pompe et faire corriger le problème par un représentant technique qualifié avant utilisation.


⚠ AVERTISSEMENT – Le non-respect de la liaison de la pompe à la structure de la piscine augmentera le risque d'électrocution et pourrait entraîner des blessures ou la mort. Afin de réduire le risque de décharge électrique, lire les instructions d'installation et consulter un électricien professionnel sur la façon de lier la pompe. De même, contacter un électricien agréé pour des informations sur les codes électriques locaux à des fins d'exigences de liaison equipotentielle.


Remarques pour l'électricien : Utiliser un conducteur en cuivre massif de taille 8 ou plus. Faire passer un câble continu depuis la cosse d'attache externe vers la barre ou le treillis de renfort. Raccorder un fil de mise à la masse de calibre 8 AWG (8,4 mm²) [calibre 6 AWG (13,3 mm²) pour Canada] en cuivre massif au connecteur de câble à pression fourni sur le boîtier de la pompe et à toutes les pièces métalliques de la piscine, du bain à remous, ou de la cuve thermique, et à tous les équipements électriques, tuyauterie métallique (sauf les tuyauteries de gaz), et aux conduits se trouvant dans un rayon de 5 pieds (1,5 m) des murs internes d'une piscine, d'un bain à remous ou d'une cuve thermique. **IMPORTANT** - Les Codes du NEC sont la référence pour toutes les normes relatives au câblage y compris sans limitation, la mise à la terre, la liaison électrique et les autres procédures générales de câblage.

⚠ WARNING – Risque de piégeage par aspiration. L'aspiration dans les sorties d'aspiration et/ou couvercles de sortie d'aspiration endommagés, cassés, fissurés, absents ou détachés entraîne des blessures graves et/ou la mort en raison des risques de piégeage suivant (compléments des symboles d'APSP) :

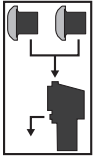
 **Piégeage des cheveux** - Les cheveux peuvent être piégés dans le couvercle de sortie d'aspiration.
 **Piégeage de membre** - Un membre inséré dans une ouverture de puisard de sortie d'aspiration ou dans un couvercle de sortie d'aspiration endommagé, cassé, fissuré, absent ou détaché peut entraîner un accrochage mécanique ou une enflure du membre.

 **Piégeage du corps par aspiration** - Une différence de pression exercée sur une grande partie du corps ou des membres peut causer le piégeage.

 **Éviscération / Événtration** - Une pression négative appliquée directement sur les intestins à travers un puisard de sortie d'aspiration non protégé ou un couvercle de sortie d'aspiration qui est endommagée, cassée, fissurée, absente ou détachée peut entraîner une éviscération (événtration).

 **Piégeage mécanique** - Il est possible que les bijoux, les maillots de bain, les décorations de cheveux, les doigts, les ortels ou les articulations des doigts soient piégés dans une ouverture de couvercle de sortie d'aspiration, entraînant un piégeage mécanique.

⚠️ AVERTISSEMENT – Pour réduire le risque des piégeages :



- Lorsque les sorties d'aspiration sont suffisamment petites pour être bloquées par une personne, un minimum de deux sorties d'aspiration opérationnelles par pompe doit être installé. Les sorties d'aspiration dans un même plan (c.-à-d. sol ou mur) doivent être installées au moins à trois pieds (3') [0,91 m] de distance, en mesurant entre les points les plus proches.
- Les sorties d'aspiration doubles doivent être placées de façon à éviter le « double blocage » par un utilisateur.
- Dual suction fittings shall not be located on seating areas or on the backrest for such seating areas.
- Les raccords d'aspiration doubles ne seront pas situés sur des zones de places assises ou sur les appui-dos des zones de places assises.
- Ne jamais utiliser la piscine ou le bain à remous si un composant de sortie d'aspiration est endommagé, cassé, fissuré, absent ou détaché.
- Remplacer immédiatement les composants de sortie d'aspiration qui sont endommagés, cassés, fissurés, absents ou détachés.
- Installer deux sorties d'aspiration par pompe, ou plus, conformément aux dernières normes APSP (ex-NSPI) et les lignes directrices de CPSC. Suivre tous les codes nationaux, provinciaux et locaux applicables.
- L'installation d'un système de rupture de vide ou d'aération qui rompt l'aspiration du piégeage est recommandée.



⚠️ AVERTISSEMENT – Pression dangereuse. Les systèmes de circulation d'eau des piscines et des bains à remous fonctionnent sous une pression dangereuse pendant le démarrage, le fonctionnement normal et après l'arrêt de la pompe. Rester éloigné de l'équipement du système de circulation pendant le démarrage de la pompe. Le non-respect des consignes de sécurité et d'utilisation peut entraîner la séparation violente du boîtier de la pompe et du couvercle en raison de la pression dans le système, ce qui pourrait causer des dommages matériels, des blessures graves ou la mort. Avant d'effectuer l'entretien du système de circulation d'eau de la piscine ou du spa, toutes les commandes du système et de la pompe doivent être en position d'arrêt (off) et la soupape de dégagement d'air manuelle du filtre doit être en position ouverte. Avant de démarrer la pompe, toutes les vannes du système doivent être dans une position qui permet à l'eau de retourner vers la piscine. Ne pas changer la position de la vanne de régulation du filtre pendant que la pompe est en marche. Avant de démarrer la pompe, ouvrir complètement la vanne de mise à l'air libre manuelle du filtre. Ne pas fermer la vanne de mise à l'air libre manuelle du filtre jusqu'à ce qu'un écoulement d'eau constant (non pas de l'air ou un mélange d'air et d'eau) soit évacué de la vanne. Toutes les soupapes d'aspiration et de refoulement DOIVENT être OUVERTES lors du démarrage du système de circulation. Le non-respect de cette indication pourrait entraîner des blessures graves et/ou des dégâts matériels importants.



⚠️ AVERTISSEMENT – Risque de séparation. Le non-respect des consignes de sécurité et d'utilisation peut entraîner la séparation violente des composants de la pompe. Le couvercle de la crépine doit être fixé correctement au boîtier de la pompe avec la bague de retenue du couvercle de la crépine. Avant d'effectuer l'entretien du système de circulation de la piscine ou du bain à remous, toutes les commandes du système et de la pompe doivent être en position d'arrêt et la vanne de mise à l'air libre doit être en position ouverte. Ne pas utiliser le système de circulation de la piscine ou du spa si un composant du système n'est pas assemblé correctement, est endommagé ou absent. Ne pas utiliser le système de circulation de la piscine et du bain à remous à moins que le corps de la soupape de dégagement d'air soit en position de verrouillage dans la partie supérieure du corps du filtre. Toutes les soupapes d'aspiration et de refoulement DOIVENT être OUVERTES lors du démarrage du système de circulation. Le non-respect de cette indication pourrait entraîner des blessures graves et/ou des dégâts matériels importants.

⚠️ AVERTISSEMENT – Ne jamais utiliser le système de circulation à une pression supérieure à 50 psi au maximum.

⚠️ AVERTISSEMENT – Risque d'incendie et de brûlure. Les moteurs fonctionnent à des températures élevées et s'ils ne sont pas isolés de façon appropriée des structures inflammables ou des débris étrangers, ils peuvent provoquer des incendies, ce qui peut causer des blessures graves ou la mort. Il est également nécessaire de laisser le moteur se refroidir pendant au moins 20 minutes avant l'entretien afin de réduire le risque de brûlures.

⚠️ AVERTISSEMENT – Le non-respect d'une installation selon les consignes définies peut entraîner des blessures graves ou la mort.

CONSERVEZ CES INSTRUCTIONS

⚠ AVERTISSEMENT

- **RISQUE D'INGESTION** : Ce produit contient une pile bouton ou plate.
- La **MORT** ou des blessures graves peuvent se produire en cas d'ingestion.
- L'ingestion d'une pile bouton ou plate peut provoquer des **brûlures chimiques internes** en seulement **2 heures**.
- **TENIR** les piles neuves ou usagées **HORS DE PORTÉE DES ENFANTS**.
- En cas de suspicion d'ingestion ou d'introduction d'une pile dans une quelconque partie du corps, **consulter immédiatement un médecin**.



- ⚠ **AVERTISSEMENT** – Même les piles usagées peuvent entraîner la mort ou des blessures graves.
- ⚠ **AVERTISSEMENT** – Appeler un centre antipoison local pour obtenir des renseignements sur le traitement.
- ⚠ **AVERTISSEMENT** – Retirer et recycler immédiatement les piles usagées ou les mettre au rebut conformément à la réglementation locale et les tenir à l'écart des enfants. Ne PAS jeter les piles avec les ordures ménagères ni les incinérer.
- ⚠ **AVERTISSEMENT** – Ce produit contient des piles non rechargeables. Ne PAS forcer la décharge ni la recharge des piles, ni les démonter, les chauffer à une température supérieure à 85 °C ni les incinérer. Cela peut entraîner des blessures dues à un échappement, une fuite ou une explosion provoquant des brûlures chimiques.
- ⚠ **AVERTISSEMENT** – Ce produit contient des piles non remplaçables. Ne JAMAIS tenter, pour quelque raison que ce soit, de retirer ou de remplacer la pile installée en usine.
- ⚠ **AVERTISSEMENT** – Les piles non rechargeables ne doivent pas être rechargées.

AVIS – Ce produit contient une pile plate Panasonic BR1225.

AVIS – La tension nominale de la pile contenue dans ce produit est de 3 V.

Certificate of Conformity

Produit :	MaxFlo, SuperPump, TriStar, & LifeStar Series Variable Speed Pumps
Réglementation de la CPSC :	Norme de sécurité portant sur les piles boutons ou plates et les produits de consommation contenant ces piles Underwriters Laboratories UL 4200A-2023
Fabricant :	Hayward Industries 1415 Vantage Park Drive, Suite 400, Charlotte, NC 28203 Téléphone du service technique : 908-355-7995
Lieu de fabrication :	Hayward Industries, One Hayward Industrial Drive, Clemmons, NC 27012
Date de fabrication :	Le numéro de série se compose de 17 chiffres Exemple de numéro de série : 21122305456789001 Les 5e à 8e chiffres correspondent à « l'année et au mois » de la date de fabrication L'exemple ci-dessus indique que le produit a été fabriqué au 5e mois de l'année 2023.
Rapport d'essai élaboré par :	Hayward Industries, One Industrial Drive, Clemmons, NC 27012 Téléphone : 908-355-7995 Date du rapport d'essai : Mars 2024



Table des Matières

Aperçu	6
Dimensions du Produit.....	6
Installation	7
Emplacement de la Pompe.....	7
Montage de la Pompe.....	7
Tuyauterie.....	8
Électrique.....	8
Orientation de L'interface à Commande Numérique.....	9
Montage Mural de L'interface.....	9
Procédure D'installation.....	11
Schémas de Câblage.....	11
Câblage de Puissance D'entrée (Obligatoire).....	11
Câblage du Système D'automatisation de Hayward.....	11
Câblage de Relais Externe pour la Commande de la Vitesse.....	13
Câblage de L'interface Numérique Montée au Mur.....	14
Câblage de Commutateur D'arrêt à Distance.....	14
Opération	15
Avant de Démarrer.....	15
Démarrer/Amorcer la Pompe.....	15
Résumé de L'interface Utilisateur.....	16
Description du Menu.....	16
Démarrage Initial.....	17
Menu Configuration.....	17
Menu Chronomètreur.....	19
Menu de Réglage de Vitesse Prédéfinie.....	20
Menu Diagnostics.....	21
Arrêter/Reprendre.....	21
Nettoyage Rapide.....	21
Arrêt à Distance.....	22
Entretien	22
Entreposage/Hivernisation.....	22
Instructions de Remplacement de Joint D'arbre.....	23
Pièces de Rechange	24
Dépannage	25
Problèmes Généraux.....	25
Vérifier les Messages Système.....	26

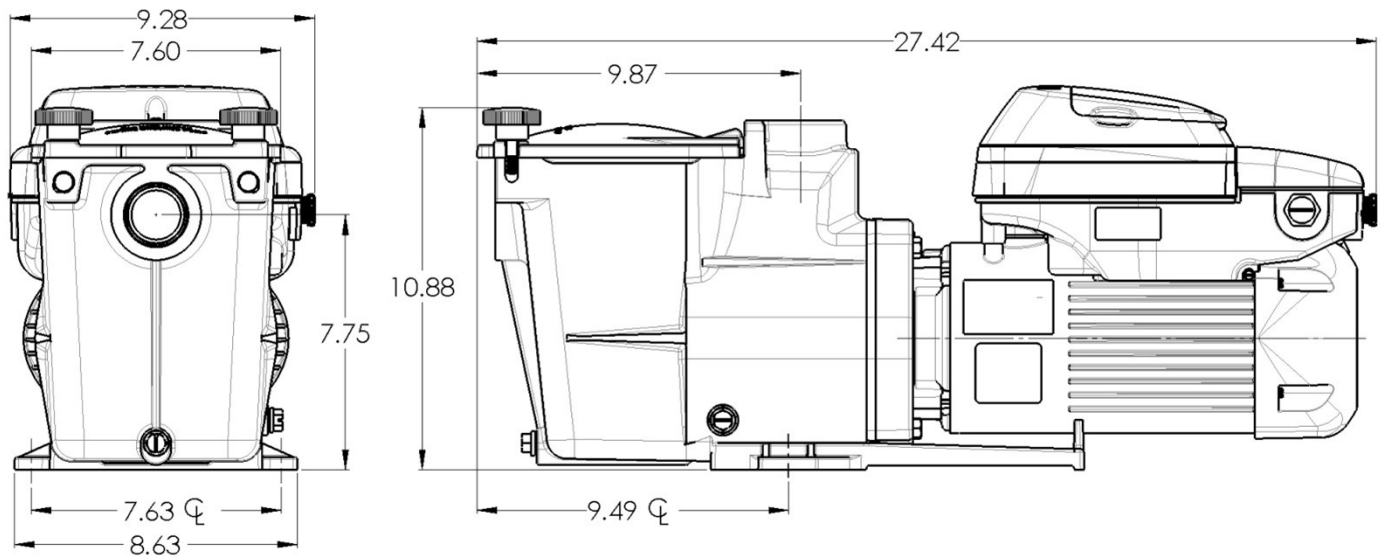
Overview

La famille de pompe à vitesse variable THP 1.65 de Hayward offre une économie d'énergie incroyable par l'intermédiaire de sa conception hydraulique avancée associée à un moteur à aimant permanent totalement fermé. Cette pompe s'installe facilement, que ce soit en tant que pompe programmable autonome, ou avec un contrôleur Hayward ou un contrôleur tiers, et elle comporte une interface de commande numérique facile à utiliser qui peut être fixée en quatre positions différentes sur la pompe ou retirée et fixée au mur pour une commodité entière de l'utilisateur.

Principales Caractéristiques

- Moteur complètement fermé, à aimant permanent
- Conception hydraulique avancée
- Entièrement programmable, équipée d'une horloge autonome de 24 h et jusqu'à 8 vitesses sur mesure et des fonctions de chronomètre
- Pour une gestion améliorée de la piscine, commande possible par des plates-formes de commande de piscine et de bain à remous de Hayward ou de tiers, sans la nécessité d'accessoires supplémentaires
- Interface à commande numérique : possibilité de montage en quatre positions différentes sur la pompe ou de retrait pour fixation au mur
- La transmission du moteur comporte une protection intégrée contre les températures élevées et les variations de tension. La transmission est également conçue pour résister à des températures inférieures au point de congélation sans problème

Dimensions du Produit



Aperçu de L'efficacité Énergétique

L'énergie consommée par une pompe de la piscine est mesurée en watts (W) ou kilowatts (kW). La famille de pompes à vitesse variable THP 1.65 affiche une consommation électrique en watts. Compte tenu de cette information, vous pouvez déterminer le coût de fonctionnement de la pompe.

Consommation électrique de la pompe X Coût de l'électricité = Coût d'exploitation de la pompe par heure

Exemple : Pompe à vitesse variable de Hayward fonctionnant à 300 W. Coût de l'électricité = 0,10 \$ par kWh
 Convertir watts en kilowatts : 300 W = 0,3 kW
 0,3 kW X 0,10 \$/kWh = 0,03 \$ par heure

Remarquez que la consommation électrique est grandement affectée par la vitesse de la pompe. La diminution de la vitesse de la pompe pourrait réduire grandement l'énergie consommée. Ci-dessous certains des avantages majeurs du fonctionnement de la pompe à des vitesses inférieures.

Avantages de fonctionnement à des vitesses inférieures

- Économiser l'électricité et de l'argent
- Amélioration de la filtration – le filtre peut souvent éliminer des particules plus fines lorsque l'eau se déplace plus lentement
- Fonctionnement silencieux
- Réduction de la hauteur manométrique totale – moins de contraintes sur l'équipement (par exemple, le filtre) qui peut prolonger la vie de l'équipement

En déterminant les vitesses (s) pour faire fonctionner la pompe, vous devez également tenir compte des exigences minimums aux fins d'une hygiène et d'une fonctionnalité appropriées de l'équipement ou du jeu d'eau.

Il est recommandé de filtrer (« renouveler ») toute l'eau dans la piscine au moins une fois toutes les 24 heures. Vérifier les exigences locales pour le taux minimal de renouvellement. Le fonctionnement de la pompe à une vitesse inférieure peut exiger une plus longue période de marche de la pompe afin de satisfaire les exigences de renouvellement aux fins d'une hygiène appropriée.

Les équipements comme les réchauffeurs, récupérateurs et chlorateurs exigent des débits minimums pour fonctionner correctement. Se référer aux manuels individuels de l'équipement pour les exigences spécifiques de débit.

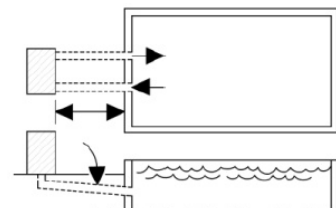
Après avoir défini les vitesses de la pompe, il est recommandé de vérifier que toutes les fonctionnalités des autres équipements/jeux d'eau fonctionnent comme prévu. Par exemple, en fonctionnant à une vitesse basse pour une filtration tous les jours, vérifier que l'eau s'écoule de façon appropriée par-dessus les déversoirs du récupérateur. Utiliser la pompe à des vitesses plus élevées pendant des périodes plus courtes nécessaires pour l'utilisation d'un réchauffeur, d'un jeu d'eau, etc.

Installation

⚠ AVERTISSEMENT – Ce produit doit être installé et entretenu seulement pas une personne qualifiée.

Emplacement de la Pompe

Placer la pompe aussi près que possible de la piscine et acheminer les conduites d'aspiration aussi directes que possible afin de réduire la perte de pression. Les conduits d'aspiration doivent avoir une pente continue vers le haut depuis le point le plus bas en ligne. Les joints doivent être serrés (mais non pas trop serrés). Le diamètre de la conduite d'aspiration doit être égal au diamètre de la conduite de refoulement. Bien que la pompe soit conçue pour une utilisation extérieure, il est conseillé de placer la pompe et le filtre à l'ombre afin de les protéger de la chaleur continue directe. Sélectionner une zone bien drainée, qui n'est pas inondée lorsqu'il pleut. Ne pas installer la pompe et le filtre dans un emplacement humide ou non ventilé. Garder le moteur propre. Les moteurs de la pompe requièrent une circulation libre de l'air pour le refroidissement.

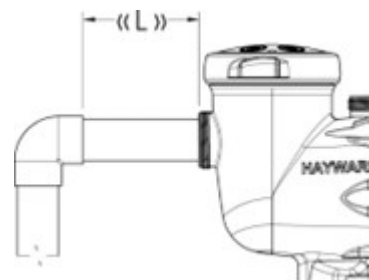


Montage de la Pompe

Installer la pompe sur une dalle de béton à niveau ou une autre base rigide afin de respecter tous les codes locaux et nationaux. Fixer la pompe à la base avec des vis ou boulons en vue de réduire davantage la vibration et la contrainte sur les joints de conduite ou de flexible. La base doit être à niveau, rigide et sans vibration. **La fixation de la pompe doit :**

- Permettre à la hauteur de l'orifice d'aspiration de la pompe d'être le plus près possible du niveau de l'eau
- Permettre l'utilisation de conduite d'aspiration courte, directe (pour réduire les pertes de pression)
- Permettre des soupapes dans les conduites d'aspiration et de refoulement
- Être protégée de l'humidité et de l'inondation excessive
- Permettre un accès adéquat pour l'entretien de la pompe et de la tuyauterie

DÉBIT MAXIMUM RECOMMANDÉ DU SYSTÈME PAR TAILLE DE CONDUITE		
Taille de conduite en [mm]	Débit maximum GPM [LPM]	Longueur minimum de tuyau droit « L » en [mm]*
1 ½ po [50]	45 [170]	7 ½ po [190]
2 po [63]	80 [300]	10 po [254]
2 ½ po [75]	110 [415]	12 ½ po [317]
3 po [90]	160 [600]	15 po [381]



Remarque : Il est recommandé qu'une longueur minimum de tuyau droit (montrée comme « L » dans le schéma cidessus), équivalent à 5 diamètres de tuyau soit utilisée entre l'aspiration de la pompe et les raccords de tuyauterie (coudes, vannes, etc.).



Lors de l'installation de la famille de pompes à vitesse variable THP 1.65, il faut s'assurer de la dimension appropriée des conduites et de l'équipement pour gérer le débit maximal requis. Il est recommandé de définir la vitesse maximum afin de ne pas dépasser le débit maximal.

⚠ AVERTISSEMENT – Pression dangereuse. Les pompes, filtres et autres équipements ou composants du système de filtration d'une piscine fonctionnent sous pression. Un équipement ou des composants installés de façon incorrecte ou inappropriée peuvent entraîner des blessures graves ou la mort.

Tuyauterie

1. Utiliser un ruban PTFE pour sceller les raccords filetés sur les composants en plastique moulé. Tous les raccords en plastique doivent être neufs et nettoyés soigneusement avant utilisation. REMARQUE - NE PAS utiliser de pâte à joint de plombier, car elle pourrait causer la fissure des composants en plastique. En appliquant le ruban PTFE aux filets en plastique, envelopper la partie entière filetée du raccord mâle avec une à deux couches de ruban. Enrouler le ruban dans le sens horaire en se mettant en face de l'extrémité ouverte du raccord, en commençant à l'extrémité du raccord. Les orifices d'aspiration et de refoulement de la pompe ont des freins de filetage rapportés au moulage. NE tentez PAS de forcer le passage du raccord de flexible au-delà de ce frein. Il est seulement nécessaire de serrer les raccords suffisamment pour éviter les fuites. Serrer le raccord à la main et utiliser ensuite un outil pour engager un 1 ½ tour supplémentaire du raccord. Faire attention en utilisant le ruban PTFE, car le frottement est réduit considérablement; NE PAS trop serrer le raccord ou des dommages en résulteraient. Si une fuite se produit, retirer le raccord, nettoyer l'ancien ruban PTFE, envelopper de nouveau à l'aide d'une ou de deux couches supplémentaires de ruban PTFE, et installer de nouveau le raccord.
2. Les raccords (coudes, té, vannes, etc.) limitent l'écoulement. Pour une meilleure efficacité, utiliser le moins de raccords possible. Éviter des raccords qui pourraient entraîner un trou d'air. Les raccords de piscine et de bain à remous DOIVENT satisfaire les normes de l'association internationale des organismes officiels de plomberie et de mécanique (IAPMO).

Électrique

⚠ AVERTISSEMENT – Tout le câblage électrique DOIT être conforme à tous les codes locaux et réglementations locales, et au Code électrique national (NEC).

⚠ AVERTISSEMENT – Effectuer la mise à la terre et la liaison électrique de la pompe avant d'effectuer le raccordement à une source d'alimentation électrique. Le non-respect de la mise à la terre et de la liaison électrique de la pompe peut entraîner des décharges électriques graves ou mortelles. NE PAS effectuer une mise à la terre vers une conduite d'alimentation en gaz. Pour éviter des décharges électriques dangereuses ou mortelles, arrêtez l'alimentation vers la pompe avant de travailler sur les connexions électriques. Risque d'incendie — faire correspondre la tension de l'alimentation à la tension sur la plaque signalétique de la pompe. S'assurer que l'alimentation électrique disponible convient à la tension, la phase, et le cycle de la pompe, et que la taille du câble est adéquate pour le calibre de l'intensité, et la distance de la source d'alimentation. Utiliser des conducteurs en cuivre seulement.

Spécifications électriques

Se reporter à la plaque signalétique du moteur pour connaître la tension et le courant nominaux. Utiliser des conducteurs en cuivre seulement. Pour utilisation intérieure et extérieure. Raccorder la pompe vers un circuit de dérivation de 15 A conformément aux codes et réglementations locaux, et au Code électrique national (NEC). Un moyen de déconnexion situé à au moins 5 pieds des murs intérieurs de la piscine, du bain à remous ou de la cuve thermique doit être fourni.

du câblage

La tension au niveau de la pompe NE DOIT PAS être supérieure à 10 % au-dessus ou au-dessous de la tension nominale sur la plaque signalétique, ou les composants pourraient surchauffer, entraînant le déclenchement d'une surcharge et une durée de vie réduite. Si la tension est inférieure à 90 % ou supérieure à 110 % de la tension nominale lorsque la pompe fonctionne à plein rendement, consulter l'entreprise qui fournit l'électricité.

Mise à la terre et liaison électrique

1. Installer, mettre à la terre, lier et câbler la pompe conformément aux exigences des codes locaux ou du code électrique national.
2. Effectuer la mise à la terre permanente de la pompe. Utiliser la borne de terre verte fournie sous la plaque d'accès; utilisez la taille et le type de câble requis par le code. Raccorder la borne de terre à la masse du réseau électrique.
3. Liaison électrique de la pompe à la structure de la piscine. La liaison électrique raccorde toutes les pièces métalliques dans l'enceinte et autour de la piscine à l'aide d'un câble continu. La liaison électrique réduit le risque de passage du courant, entre les objets liés en métal, qui pourrait entraîner une décharge électrique s'il est mis à la terre ou en court-circuit. Les Codes du NEC sont la référence pour toutes les normes relatives au câblage y compris sans limitation, la mise à la terre, la liaison électrique et les autres procédures générales de câblage.
4. Utiliser un conducteur en cuivre massif de taille 8 ou plus. Faire passer un câble depuis la cosse d'attache externe vers la barre ou le treillis de renfort. Raccorder un fil de mise à la masse de calibre 8 AWG (8,4 mm²) [calibre 6 AWG (13,3 mm²) pour Canada] en cuivre massif au connecteur de câble à pression fourni sur le boîtier du moteur et à toutes les pièces métalliques de la piscine, du bain à remous, ou de la cuve thermique, et à tous les équipements électriques, tuyauterie métallique (sauf les tuyauteries de gaz), et aux conduits se trouvant dans un rayon de 5 pieds (1,5 m) des murs internes d'une piscine, d'un bain à remous ou d'une cuve thermique.

d'entrée

1. La pompe DOIT être raccordée de façon permanente au circuit. Si d'autres lumières ou appareils se trouvent également sur le même circuit, assurez-vous d'ajouter leurs charges en ampères avant de calculer les tailles du câble et du disjoncteur. Utiliser le disjoncteur comme interrupteur principal de Marche-Arrêt.
2. Si la pompe à vitesse variable est utilisée pour remplacer une pompe existante qui a été commandée par une horloge de pointage mécanique séparée, elle doit être raccordée directement au secteur, contournant l'horloge de pointage. L'horloge de pointage peut ensuite servir à alimenter d'autres équipements

(comme un réchauffeur, une thermopompe ou une pompe de surpression) qui exigent que la pompe de filtration soit fonctionnelle lors de l'utilisation. Si l'horloge de pointage est utilisée d'une telle façon, elle doit être ajustée pour alimenter l'équipement pendant une durée du cycle lorsque la pompe à vitesse variable fonctionne à un débit approprié pour faire fonctionner l'autre équipement, comme les chronomètres le définissent dans le Menu Chronomètreur.

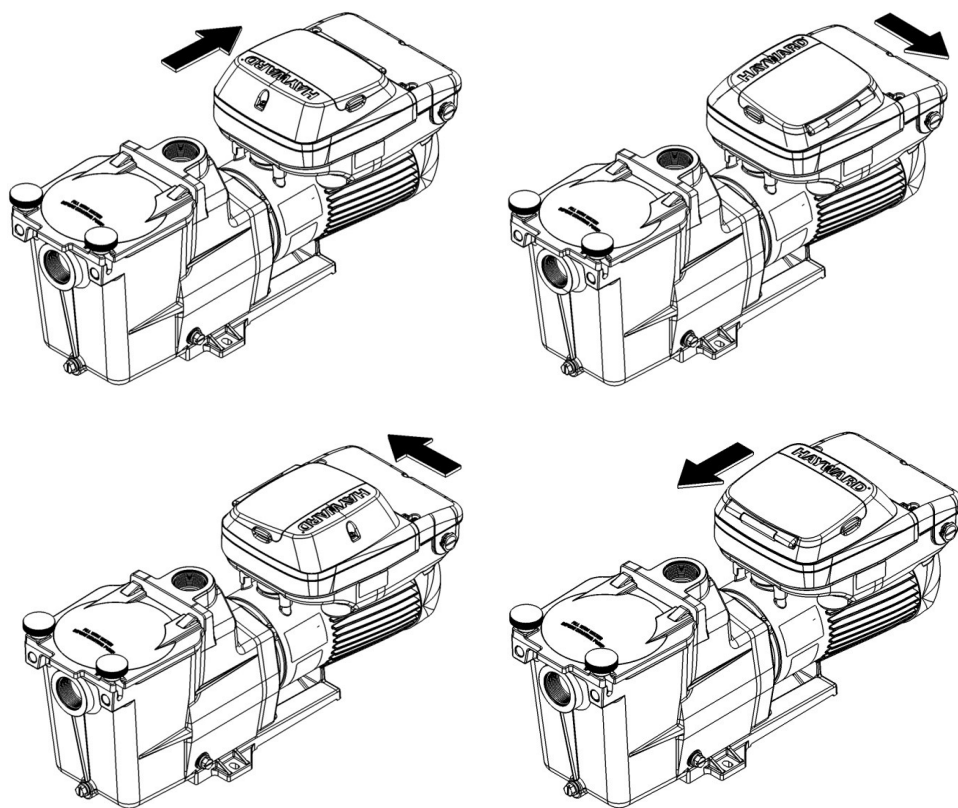
Câblage/Fonctionnement de la commande à distance

Il est possible de contrôler la famille de pompes à vitesse variable THP 1.65 de diverses façons, tel que décrit ci-dessous :

1. Elles peuvent fonctionner par elles-mêmes en Mode autonome à l'aide de leurs chronomètres programmables intégrés.
2. Il est également possible de les commander à l'aide de commandes de tiers (c'est-à-dire une commande d'un autre fabricant) et des commandes de Hayward qui ne sont pas compatibles avec le logiciel en utilisant des contacts relais. Voir page 13 pour plus d'informations en ce qui concerne le raccordement de cette pompe et des commandes de tiers ou de Hayward non compatibles avec le logiciel.
3. Elles peuvent communiquer avec les commandes des piscines et des spas de Hayward et être commandées par elles. Voir page 14 pour plus d'informations en ce qui concerne le raccordement de cette pompe et des commandes des piscines et des spas de Hayward.

Orientation de l'interface à commande numérique

L'interface à commande numérique peut être tournée dans l'une des quatre positions souhaitées après l'installation en desserrant les deux vis qui maintiennent l'interface utilisateur sur le moteur; en soulevant et en faisant pivoter l'interface utilisateur dans la position souhaitée, puis en serrant les deux vis dans la nouvelle position.



Montage mural de l'interface

Il est également possible de monter l'interface au mur à l'aide des pièces fournies dans le kit de montage mural en option en suivant la procédure ci-après. Reportez-vous au diagramme de la page 10.

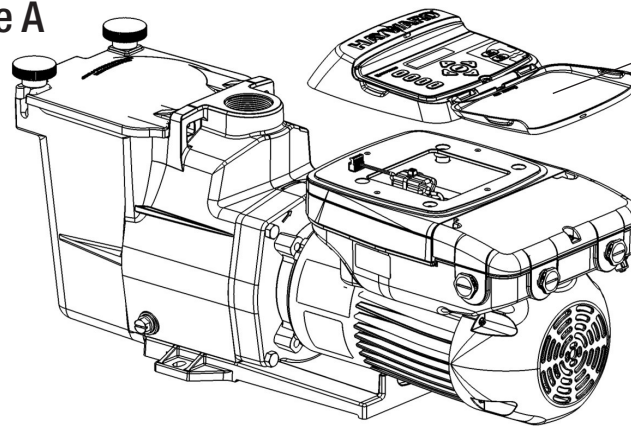
1. COUPER LE COURANT ÉLECTRIQUE AU NIVEAU DU DISJONCTEUR.
2. Desserrer les deux vis qui maintiennent l'interface utilisateur à la transmission du moteur et retirer l'interface utilisateur. (Figure A)
3. Débrancher le câble court qui se prolonge hors du moteur vers l'interface utilisateur. (Figure A)
4. Desserrer les trois vis qui maintiennent le couvercle du compartiment de câblage à l'entraînement du moteur et retirez-le pour accéder au compartiment.
5. Débranchez le câble court du bloc de jonction RS485 qui se trouve sur le circuit imprimé basse tension.
6. Poser la plaque de montage mural, SP3200DR10, à l'emplacement souhaité. (Figure C)
7. Raccorder le câble de l'interface comme indiqué dans le schéma de câblage de l'interface de commande numérique murale figurant à page 14, au deuxième bloc de jonction RS485 de l'entraînement du moteur et à la carte de circuit imprimé de l'interface utilisateur. Utiliser un câble multi conducteur

enveloppé approprié pour l'emplacement de l'installation. Le câble doit être acheminé à travers une des ouvertures gauches de conduit sur le moteur et à travers la fente fournie sur l'arrière de la plaque de montage mural, SP3200DR10. Utiliser un protecteur de cordon étanche aux liquides, de taille appropriée pour le câble utilisé, pour sceller l'ouverture du conduit. Le câble utilisé peut aller jusqu'à 500 pieds de long. (Figure C)

8. Fixer l'interface utilisateur sur la plaque de montage mural, SP3200DR10, à l'aide de deux vis. (Figure C)
9. Fixer à nouveau le couvercle du compartiment de câblage, en veillant à ce qu'il soit correctement aligné avec le moteur, et serrer les trois vis pour bien fixer.
10. Poser la cache, SP3200DR9, sur le moteur dans l'orientation souhaitée. Cette cache est importante pour protéger les éléments électroniques internes. (Figure B)
11. Mettre le système sous tension et reprendre le fonctionnement normal.

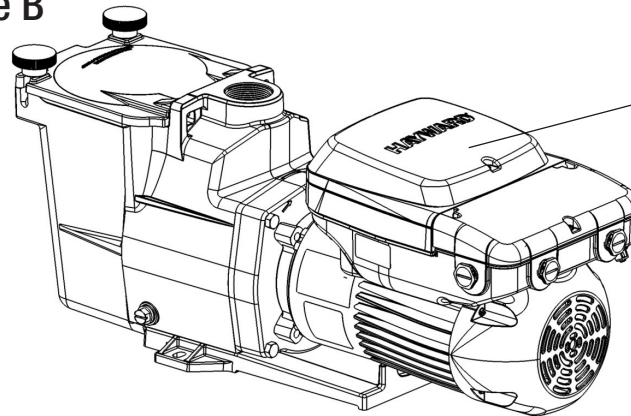
Le schéma ci-après illustre la procédure de montage mural de l'interface :

Figure A



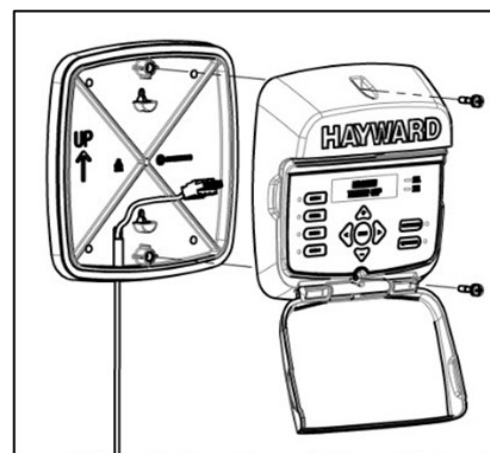
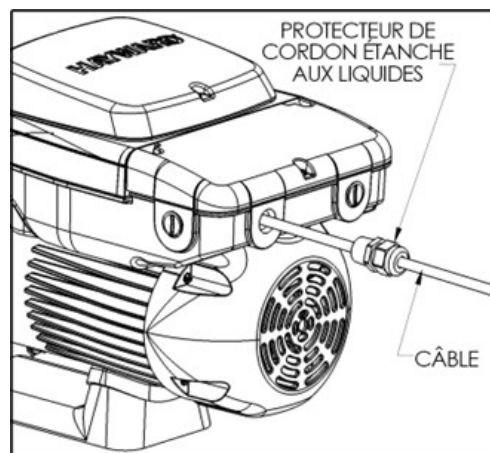
Retrait de l'interface à commande numérique pour le montage mural

Figure B



Ajout de la cache

Figure C



Procédure d'installation

Veuillez consulter les sections ci-dessus avant de poursuivre avec cette section.

1. COUPER LE COURANT ÉLECTRIQUE AU NIVEAU DU DISJONCTEUR.
2. Desserrer les trois vis qui maintiennent le couvercle du compartiment et retirez-le pour accéder au compartiment de câblage de l'entraînement.
3. Raccorder le câblage secteur de aux bornes et vis de mise à la terre comme montrée dans le schéma Input Power Wiring. Le câblage doit être acheminé à travers une des ouvertures droites du conduit. Voir la section ci-dessous pour le diagramme.
4. Si la pompe est commandée au moyen d'une commande de piscine Hayward, raccordez le câble à trois conducteurs fourni comme indiqué dans le schéma de câblage du système d'automatisation de Hayward. Voir la section ci-dessous.
5. Si la pompe est contrôlée à l'aide de contacts relais depuis une commande externe, raccorder les bornes d'entrée numérique aux contacts relais comme montrés dans le schéma de Câblage de relais externe pour la commande de la vitesse. Voir page 13.
6. Si l'installation utilise la fonction d'arrêt à distance de l'entraînement, raccorder les bornes d'entrée numérique au commutateur d'arrêt à distance comme montré dans le schéma de Câblage d'arrêt à distance. Voir page 14.
7. Le câblage des fonctions de la commande à distance ou de l'arrêt à distance doit être acheminé à travers une des ouvertures gauches du conduit. Utiliser un câble multi conducteur enveloppé approprié pour l'emplacement de l'installation. Utiliser un protecteur de cordon étanche aux liquides, de taille appropriée pour le câble utilisé, pour sceller l'ouverture du conduit.
8. Raccorder la pompe au système de liaison électrique de la piscine à l'aide d'un fil de calibre 8 AWG (6 AWG pour le Canada). Une cosse de liaison est fournie sur l'extérieur du boîtier d'entraînement.
9. Une fois toutes les connexions électriques effectuées, remplacer le couvercle du compartiment de câblage, en veillant à ce qu'il soit bien aligné avec le moteur, et serrer les trois vis pour bien fixer.

REMARQUE : Le couvercle du compartiment de câblage doit être bien fixé pour protéger son environnement.

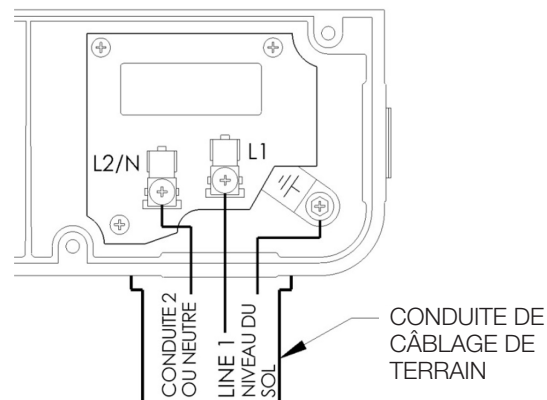
10. Mettez le système sous tension et passez au « Menu de configuration », page 17, ou voir ci-dessous pour plus de détails concernant le contrôle d'automatisation Hayward.

Schémas de Câblage

Câblage de puissance d'entrée (Obligatoire)

ATTENTION : Acheminez le câblage directement de la conduite sur le terrain au bloc de jonction comme indiqué. Ne pas entasser le reste du câblage à l'intérieur du boîtier d'entraînement.

- Utiliser Uniquement des conducteurs en cuivre
- Convient pour le câblage de terrain
- Ne doit pas être utilisé avec une conduite métallique rigide
- RETIRER LES FILS D'ESSAI AVANT L'INSTALLATION



Câblage du système d'automatisation de Hayward (En option, pour commander à distance la vitesse de la pompe)

REMARQUE : Pour les commandes Hayward compatibles avec le logiciel uniquement. Le raccordement existant du câblage de l'interface utilisateur (s'il existe) doit être débranché et le deuxième connecteur du bloc de jonction doit être utilisé pour le branchement du câblage comme indiqué ci-dessous. Reportez-vous au manuel de votre commande pour obtenir des informations sur le câblage.





Cette pompe peut communiquer avec et être contrôlée par les commandes de piscine Hayward telles que OmniLogic™, ProLogic®, E-Command® 4, OnCommand®, OmniHub, S3 Omni, et OmniPL. Version minimale requise pour le logiciel : OmniLogic R1.0.0, ProLogic 3.00, OnCommand 1.00, E-Command 2.65, E-Command 4 2.80, AquaLogic 2.65 et AquaPlus 2.65. Pour déterminer la version du logiciel de commande Hayward, consultez le manuel d'installation de la commande de piscine Hayward appropriée ou allez sur notre site Web www.haywardpiscine.ca. Le fil métallique de connexion doit être prévu pour une tension minimale de 300 V et il peut atteindre jusqu'à 500 pieds de long. Utiliser des connecteurs de bloc de jonction amovible à 4 positions pour le raccordement électrique au circuit imprimé de l'entraînement du moteur en prenant soin de noter les couleurs des fils et des numéros correspondants à côté des connecteurs. **Le bloc de jonction doit être installé avec les vis dirigées vers le haut pour assurer un raccordement approprié.**

ATTENTION – CETTE POMPE PEUT ÉGALEMENT ÊTRE RÉGLÉE DE MANIÈRE À CONTINUER À FONCTIONNER EN CAS DE PERTE DE COMMUNICATION. Lorsque les entrées sont activées par des cavaliers, la pompe réagit à une perte de communication (au bout de 4 minutes) comme suit :

1. Aucune entrée n'est connectée : la pompe reste arrêtée
2. INP1 connectée : la pompe tourne à 3450 tr/min pendant 8 minutes, puis à 1725 tr/min.
3. INP2 connectée : la pompe tourne à 3450 tr/min pendant 8 minutes, puis à 2600 tr/min.
4. INP3 connectée : la pompe fonctionne à 3450 tr/min

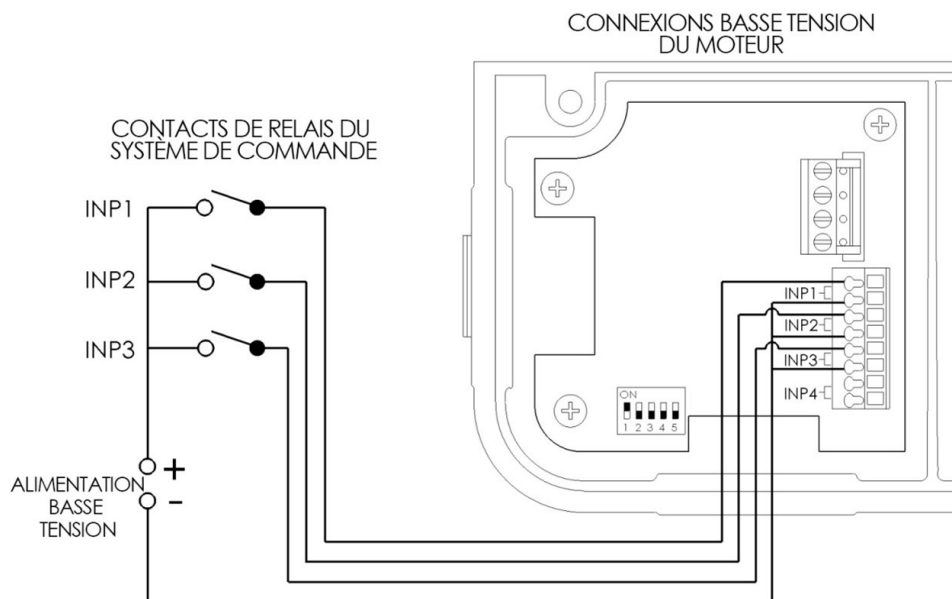
Voir page 14 pour plus de détails concernant les connexions d'entrée (les relais ne doivent pas être utilisés lorsque les entrées sont connectées pour définir le comportement de perte de communication; utilisez des cavaliers courts dans ce cas). Remarque : Avant la version 10.10 de la commande du variateur, la réponse de la pompe était la suivante : aucune entrée connectée - la pompe tourne à 3450 tr/min pendant 8 minutes puis à 1725 tr/min; INP1 connectée - la pompe tourne à 3450 tr/min pendant 8 minutes puis à 2600 tr/min; INP2 connectée - la pompe tourne à 3450; INP3 connectée - la pompe demeure à l'arrêt. Les cavaliers, s'ils sont utilisés pour définir le comportement souhaité en cas de perte de communication, doivent être installés lors de l'installation initiale de la pompe.

Lors de la communication avec La famille de contrôles Omni, la HUA (adresse unique de Hayward) est utilisé pour la communication. Pour tous les autres contrôles Hayward, l'adresse de la pompe doit être réglée à l'aide des commutateurs DIP sur la carte de circuit imprimé de l'entraînement. Pour déterminer l'adresse à utiliser, consultez le manuel d'installation de la commande de piscine Hayward appropriée ou allez sur notre site Web www.haywardpiscine.ca. Les adresses des pompes sont définies selon le tableau ci-dessous.

ÉTAT DU COMMUTATEUR DIP					
ADRESSE DE LA POMPE	n°1	n°2	n°3	n°4	n°5
Filtre pur piscine	ARRÊT	ARRÊT	ARRÊT	ARRÊT	ARRÊT
Accessoire 1 / Filtre	ARRÊT	EN	ARRÊT	ARRÊT	ARRÊT
Accessoire 2	ARRÊT	ARRÊT	EN	ARRÊT	ARRÊT
Accessoire 3	ARRÊT	EN	EN	ARRÊT	ARRÊT
Accessoire 4	ARRÊT	ARRÊT	ARRÊT	EN	ARRÊT
Accessoire 5	ARRÊT	EN	ARRÊT	EN	ARRÊT
Accessoire 6	ARRÊT	ARRÊT	EN	EN	ARRÊT
Accessoire 7	ARRÊT	EN	EN	EN	ARRÊT
Accessoire 8	ARRÊT	ARRÊT	ARRÊT	ARRÊT	EN
Accessoire 9	ARRÊT	EN	ARRÊT	ARRÊT	EN
Accessoire 10	ARRÊT	ARRÊT	EN	ARRÊT	EN
Accessoire 11	ARRÊT	EN	EN	ARRÊT	EN
Accessoire 12	ARRÊT	ARRÊT	ARRÊT	EN	EN
Accessoire 13	ARRÊT	EN	ARRÊT	EN	EN
Accessoire 14	ARRÊT	ARRÊT	EN	EN	EN
Bouton d'allumage	ARRÊT	EN	EN	EN	EN

Câblage de relais externe pour la commande de la vitesse (en option, pour une sélection à distance de la vitesse de la pompe)

REMARQUE : Pour les commandes de tiers et les commandes de Hayward qui NE sont PAS compatibles avec le logiciel.



Le fil métallique de connexion doit être prévu pour une tension minimale de 300 V. Les entrées sont prévues pour accepter une alimentation basse tension de 18-30 VCA, 9-30 VCC, 50/60 Hz. Les bornes « +12V » et « COM » peuvent être utilisées comme une alimentation à basse tension, toutefois, ces bornes alimentent également l'interface utilisateur, alors il faut faire attention en effectuant le raccordement de ces bornes pour assurer un fonctionnement approprié de l'interface utilisateur. Le commutateur DIP no 1 doit être sur « ON » (position Marche).

Cette pompe peut aussi bien être commandée depuis des commandes de piscine d'un tiers que des commandes de Hayward qui ne sont pas compatibles avec le logiciel en utilisant des contacts relais pour sélectionner les vitesses définies dans le Menu Chronomètreur (voir page 19). En complément de cette partie, vous pouvez également consulter le manuel d'installation de commande de piscine applicable pour des détails sur le raccordement électrique. Une fois installé, le Mode commande à distance doit être réglé à Commande par relais dans le Menu de configuration de la pompe (voir page 17). Les Vitesses prédéfinies 1 à 4 et Nettoyage rapide sont désactivés lorsque la pompe est commandée à distance. Lorsque les entrées INP1-3 sont activées par les contacts relais de commande de la piscine, les vitesses de chronomètreur de 1 à 8 sont sélectionnées conformément au tableau ci-après (voir page 19) :

Vitesse du chronomètreur	État d'INP1	État d'INP2	État d'INP3
1	ARRÊT	ARRÊT	ARRÊT
2	EN MARCHE	ARRÊT	ARRÊT
3	ARRÊT	EN MARCHE	ARRÊT
4	EN MARCHE	EN MARCHE	ARRÊT
5	ARRÊT	ARRÊT	EN MARCHE
6	EN MARCHE	ARRÊT	EN MARCHE
7	ARRÊT	EN MARCHE	EN MARCHE
8	EN MARCHE	EN MARCHE	EN MARCHE

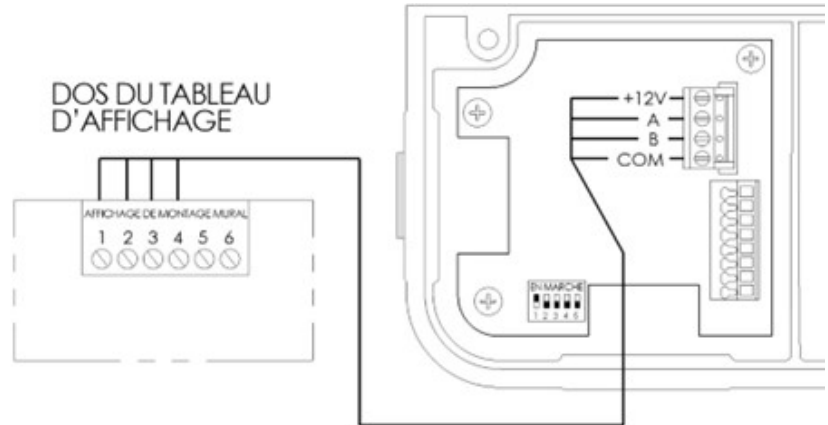
Le nombre de vitesses disponibles dépend du nombre de relais auxiliaires utilisés comme indiqué ci-dessous :

1. Relais de pompe pour filtration plus 1 relais auxiliaire permettent la commande de 2 vitesses
2. Relais de pompe pour filtration plus 2 relais auxiliaires permettent la commande de 4 vitesses
3. Relais de pompe pour filtration plus 3 relais auxiliaires permettent la commande de 8 vitesses

Câblage de l'interface numérique montée au mur (en option)

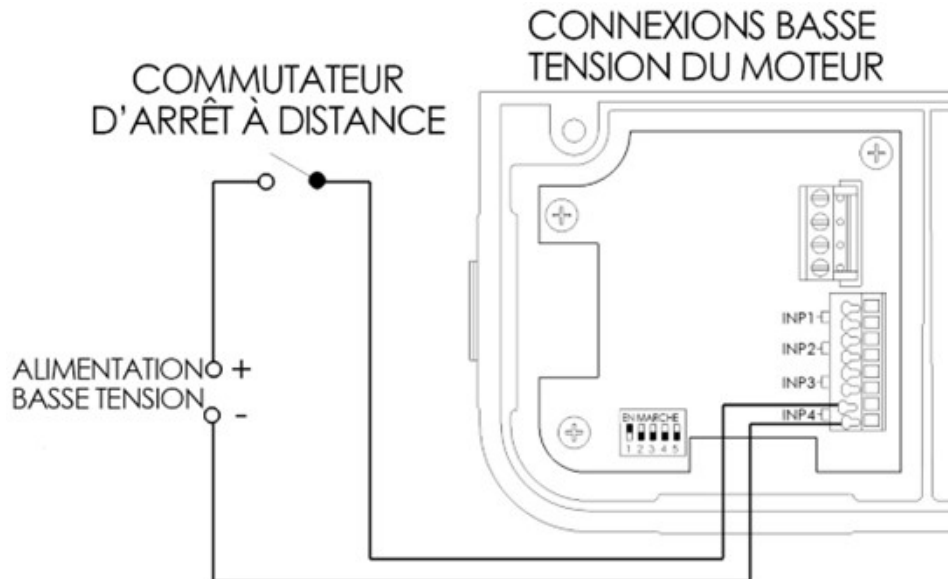
Le fil métallique de connexion doit être prévu pour une tension minimale de 300 V et il peut atteindre jusqu'à 500 pieds de long. Utiliser des connecteurs de bloc de jonction amovible à 4 positions pour le raccordement électrique à l'interface et au circuit imprimé de l'entraînement du moteur en prenant soin de noter les couleurs des fils et des numéros correspondants à côté des connecteurs. **Le bloc de jonction doit être installé avec les vis dirigées vers le haut pour assurer un raccordement approprié.** Le commutateur DIP no 1 doit être sur « ON » (position Marche).

CONNEXIONS	
INTERFACE	RS485
1	COM
2	A
3	B
4	+12V



Câblage de commutateur d'arrêt à distance (en option)

Le fil métallique de connexion doit être prévu pour une tension minimale de 300 V. Le commutateur doit être du type à verrouillage; la pompe est arrêtée lorsque le circuit est fermé. Les entrées sont prévues pour accepter une alimentation basse tension de 18-30 VCA, 9-30 VCC, 50/60 Hz. Les bornes « +12V » et « COM » peuvent être utilisées comme une alimentation à basse tension, toutefois, ces bornes alimentent également l'interface utilisateur, alors il faut faire attention en effectuant le raccordement de ces bornes pour assurer un fonctionnement approprié de l'interface utilisateur. Si les bornes « +12V » et « COM » sont utilisées, le commutateur DIP n° 1 doit être sur « ON » (marche).



Opération

Avant de Démarrer

Il est nécessaire d'effectuer un test de pression de l'eau avant la première utilisation pour assurer que le système de tuyauterie fonctionne de façon appropriée, puis les critères suivants doivent être maintenus pour ce test :

1. Faire effectuer ce test par un professionnel.
2. Assurer que tous les composants de la pompe Hayward et du système sont retirés du système avant d'effectuer le test.

⚠ AVERTISSEMENT – Si l'équipement de circulation doit rester dans le système de tuyauterie pendant le test de pression de l'eau, ne pas appliquer une pression supérieure à 10 psi au système. S'assurer que la pression de l'eau a été détendue à l'aide de la vanne de mise à l'air libre, avant de retirer le couvercle de la crépine de la pompe.

⚠ AVERTISSEMENT – Toutes les soupapes d'aspiration et de refoulement DOIVENT être OUVERTES, aussi bien que la vanne de mise à l'air libre du filtre, lors du démarrage du système de la pompe de circulation. Le nonrespect de cette indication pourrait entraîner des blessures graves.

Démarrer/Amorcer la Pompe

Se référer au point 10 dans la page 18 pour la sélection du temps d'amorçage. Remplir le boîtier de la crépine avec de l'eau jusqu'au niveau de la conduite d'aspiration. Si une fuite d'eau se produit à un endroit sur la pompe ou le filtre, NE PAS démarrer la pompe. Si aucune fuite ne se produit, se tenir au moins à 10 pieds de la pompe et/ou du filtre et commencer à démarrer la pompe.

⚠ AVERTISSEMENT – Revenir au filtre pour fermer la vanne de mise à l'air libre manuelle du filtre lorsqu'un écoulement d'eau constant (non pas de l'air ou un mélange d'air et d'eau) est évacué de la vanne. Le non-respect de cette indication pourrait entraîner des blessures graves.

⚠ ATTENTION – NE JAMAIS FAIRE FONCTIONNER LA POMPE SANS EAU. L'eau agit comme un liquide de refroidissement et lubrifiant pour la garniture d'étanchéité mécanique de l'arbre. NE JAMAIS faire fonctionner une pompe à sec. La mise en marche de la pompe à sec pourrait endommager les garnitures, entraîner une fuite ou une inondation, et annule la garantie. Remplir le boîtier de la crépine avec de l'eau avant de démarrer le moteur.

⚠ ATTENTION – Ne PAS ajouter des produits chimiques au système de la piscine ou du bain à remous directement devant l'aspiration de la pompe. L'ajout de produits chimiques non dilués pourrait endommager la pompe et annule la garantie.

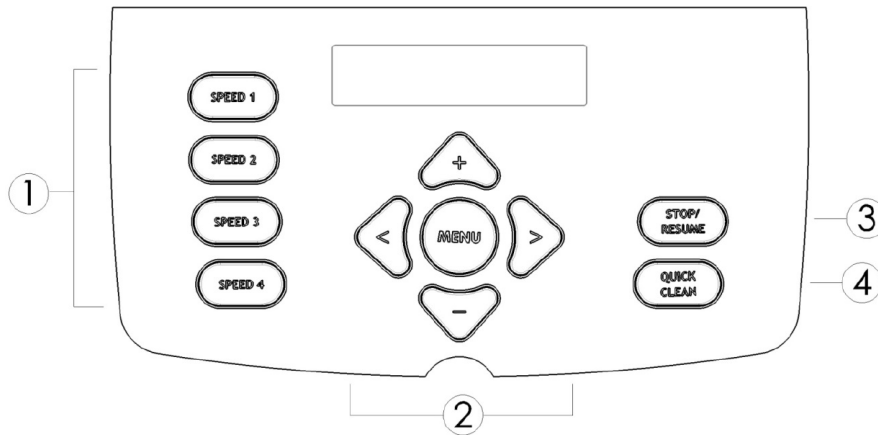
⚠ ATTENTION – Avant de retirer le couvercle de la crépine :

1. ARRÊTER LA POMPE avant de continuer.
2. FERMER LES SOUPAPES dans les conduites d'aspiration et de refoulement.
3. DÉTENDRE TOUTE LA PRESSION de la pompe et de la tuyauterie à l'aide de la vanne de mise à l'air libre manuelle du filtre. Consulter le manuel du propriétaire du filtre pour plus de détails.
4. Retirer le couvercle de la crépine et remplir le boîtier de la crépine avec de l'eau.
5. Nettoyer et graisser le joint torique du couvercle de la crépine avec de la « Jack' s 327 » si nécessaire.
6. Remettre le couvercle de la crépine sur le boîtier de la crépine.
7. OUVRIR LES SOUPAPES dans les conduites d'aspiration et de refoulement.

REMARQUE : Serrez la bague de verrouillage du couvercle de la crépine à la main uniquement (sans clé).

Mettre sous tension et attendre l'amorçage de la pompe qui peut prendre jusqu'à dix (10) minutes. Le temps d'amorçage dépendra de la longueur verticale de la hauteur d'aspiration et de la longueur horizontale du tuyau d'aspiration. Si la pompe NE s'amorce PAS dans un délai de 10 minutes, arrêter le moteur et chercher la cause. S'assurer que toutes les soupapes d'aspiration et de refoulement sont ouvertes lorsque la pompe est en marche. Consulter le Guide de dépannage.

Résumé de L'interface Utilisateur



1. **Vitesses prédéfinies** : Les boutons VITESSE 1 à VITESSE 4 peuvent être utilisés pour faire marcher la pompe à une vitesse prédéfinie jusqu'à ce que le chronomètreur suivant soit programmé. Il est possible de mettre à jour rapidement les réglages de vitesse prédéfinie en utilisant les touches de direction + et - pour modifier la vitesse, et en appuyant ensuite sur la touche > pour enregistrer le nouveau réglage de la vitesse, si vous le souhaitez.
 - a. Vitesses par défaut :
 - Vitesse 1 : 1150 tr/min
 - Vitesse 2 : 1725 tr/min
 - Vitesse 3 : 2300 tr/min
 - Vitesse 4 : 2875 tr/min
2. **Touche Menu/touches de navigation** : Une pression de la touche MENU permet de défiler dans tous les menus de configuration. Les touches de direction < et > sont utilisées pour se déplacer entre les affichages et pour sélectionner des paramètres à modifier, et les touches de direction + et - sont utilisées pour modifier les paramètres.
3. **Arrêter/Reprendre** : Cette touche sert à arrêter la pompe pour permettre le nettoyage du panier de la crépine, etc. En appuyant sur cette touche, la pompe est à l'arrêt jusqu'à ce que la touche soit appuyée une deuxième fois pour reprendre le fonctionnement normal.
4. **Nettoyage rapide** : Le NETTOYAGE RAPIDE est un mode conçu pour être utilisé lors d'un nettoyage de la piscine à l'aide d'un aspirateur basse pression.

Description du Menu

1. **Menu Configuration** (voir page 17 pour la configuration de base du produit)
 - a. Afficher la langue
 - b. Définir la date et l'heure
 - c. Sélection de la vitesse
 - d. Vitesse maximale autorisée
 - e. Vitesse minimale autorisée
 - f. Durée d'amorçage
 - g. Mode commande à distance
 - h. Utilisation à basse température
 - i. Réglage basse température
 - j. Protection par mot de passe
 - k. Expiration du mot de passe
 - l. Définir le mot de passe
2. **Menu Chronomètreur** (voir page 19 pour programmer les 8 vitesses à l'aide des fonctions du chronomètreur)
 - a. Renommer Chronomètreur « X » (où « X » est égal à 1 jusqu'à 8)
 - b. Vitesse de la pompe pour le Chronomètreur « X » (où « X » est égal à 1 jusqu'à 8)
 - c. Temps de Marche/Arrêt pour le Chronomètreur « X » (où « X » est égal à 1 jusqu'à 8)
 - d. Choisir des jours pour le Chronomètreur « X » (où « X » est égal à 1 jusqu'à 8)

3. **Menu Configuration de vitesse prédéfinie** (voir page 20 pour programmer les 4 vitesses prédéfinies)
 - a. Nom de la vitesse « X » (où « X » est égal à 1 jusqu'à 4)
 - b. Vitesse de la vitesse « X » (où « X » est égal à 1 jusqu'à 4)
4. **Menu Diagnostics** (voir page 21 pour visualiser les informations sur le diagnostic du produit)
 - a. Affichage de la révision du micrologiciel.
 - b. Numéro de série de l'entraînement.
 - c. Versions du micrologiciel de l'entraînement du moteur
 - d. Journal d'évènement (si applicable)

Démarrage Initial

Après que la tuyauterie et le câblage sont terminés, l'entraînement à vitesse variable doit être configuré avant utilisation. Lorsque l'entraînement est mis sous tension pour la première fois, les écrans d'information suivants sont affichés.

	<u>Écran</u>
1.	Pompe à vitesse variable Hayward
2.	Jeudi 13:27 1725tr/min 380W
3.	Timer 1 timer se terminera à 23:45

REMARQUE : Il est possible de sélectionner des vitesses à ce moment pour faire fonctionner la pompe temporairement, toutefois, il est recommandé que la configuration de l'entraînement et des chronomètres soit définie conformément aux exigences individuelles du site d'installation (voir page 19 pour plus de détails). À ce stade, une pression sur la touche MENU sélectionnera le Menu Configuration.

Menu Configuration

	<u>Écran</u>	<u>Touches Utilisées</u>	<u>Commentaires</u>
1.	Menu Configuration Verrouillé	< >	Appuyer sur les touches < et > et les maintenir appuyées pendant plusieurs secondes afin de déverrouiller le Menu Configuration.
2.	Menu Configuration App > pour accéder	< >	Utiliser > pour entrer dans le Menu Configuration.
3.	App +/- pour changer		
4.	Afficher langue Français	+ - < >	Sélectionner la langue pour tous les messages affichés. Passer au prochain point du menu.
5.	Date: Je 1:27PM + Modif ou > ignorer	+ - < >	Utiliser + pour changer le paramétrage de l'horloge. Utiliser > si l'horloge est correcte.

	<u>Écran</u>	<u>Touches Utilisées</u>	<u>Commentaires</u>
6.	Régl jour et heure	+ - < >	Ajuster le paramètre de date/heure. Passer à la sélection suivante, puis au prochain point du menu.
7.	Sélection vitesse tr/min	+ - < >	Choisir d'afficher la vitesse en tr/min (Tours par minute) ou % de pleine vitesse. Passer au prochain point du menu.
8.	Vitesse maxi permise 3450 (600-3450tr/min)	+ - < >	Définir la vitesse de marche maximale de la pompe. Passer au prochain point du menu.
9.	Vitesse mini permise 600 (600-3450tr/min)	+ - < >	Définir la vitesse de marche minimale de la pompe. Passer au prochain point du menu.
10.	Durée d'amorçage 8:00 minutes	+ - < >	Sélectionner la durée d'amorçage de la pompe. Passer au prochain point du menu.

REMARQUE : L'utilisateur peut définir que la pompe s'amorce à la vitesse maximale autorisée pendant 0 à 15 minutes à des intervalles de 30 secondes.

11.	Mode télécommande Autonome	+ - < >	Sélectionner Autonome ou Commande par relais. Passer au prochain point du menu.
-----	-------------------------------	------------	--

REMARQUE : Voir page 13 pour plus de détails.

12.	Fonct basse temp Désactivé	+ - < >	Activer ou désactiver l'utilisation à basse température. Passer au prochain point du menu.
13.	Réglage Temp Basse 4°C (39.2°F)	+ - < >	Définir la température pour activer l'utilisation à basse température. Passer au prochain point du menu.

REMARQUE : Lorsque la pompe est arrêtée et la température ambiante chute au-dessous de la valeur de réglage de la température de fonctionnement, la pompe s'amorce et marche au réglage de la vitesse maximale autorisée pendant 8 heures. L'utilisation à basse température n'est pas active lorsque la pompe est commandée à distance. **L'utilisation à basse température N'EST PAS conçue pour protéger la pompe, la tuyauterie du système ou la piscine du gel.** Si l'utilisation à basse température est désactivée, l'écran de réglage de la température n'est pas affiché.

14.	Protec mot de passe Désactivé	+ - < >	Permet d'activer ou de désactiver la protection par mot de passe. Passer au prochain point du menu.
15.	Saisie expirée 0:15	+ - < >	Permet de définir le délai d'expiration du mot de passe. Passer au prochain point du menu.

REMARQUE : Cela définit le temps écoulé entre la dernière activation du bouton après le déverrouillage du système et le moment où le système est à nouveau verrouillé.

16.	Mot de passe système + modifier > ignorer	+ - < >	Permet de modifier le mot de passe du système si nécessaire. Passer au prochain point du menu.
-----	--	------------	---

	<u>Écran</u>	<u>Touches Utilisées</u>	<u>Commentaires</u>
17.	Définir mot de passe ____	+ - < >	Permet de définir le caractère du mot de passe sélectionné. Passer au caractère de mot de passe suivant ou au point suivant du menu.
18.	Confirm mot de passe 0 ____	+ - < >	Permet de définir le caractère du mot de passe sélectionné. Passer au caractère de mot de passe suivant ou au point suivant du menu.

REMARQUE : Si le nouveau mot de passe n'est pas confirmé correctement, l'utilisateur sera invité à confirmer à nouveau le mot de passe. Si une erreur est commise lors de la saisie du mot de passe, appuyer sur Arrêt/Reprise annulera l'action.

Une fois qu'un mot de passe a été défini, suivez la procédure ci-dessous pour déverrouiller le système sur l'écran d'accueil.

19.	Système verrouillé Protégé par: 0 ____	+ - < >	Permet de définir le caractère du mot de passe sélectionné. Passer au caractère suivant du mot de passe.
-----	---	------------	---

Remarque : Lorsque la protection par mot de passe est activée et que le délai d'attente s'est écoulé, l'utilisateur est invité à saisir le mot de passe pour déverrouiller l'affichage lorsque l'un des boutons de l'affichage (autre que Arrêt/Reprise) est sélectionné. L'utilisateur peut utiliser le bouton Arrêt/Reprise pour arrêter la pompe et reprendre le fonctionnement normal sans avoir à saisir le mot de passe. Le mot de passe par défaut est 1234. Si le mot de passe a été modifié, il est possible de le réinitialiser à la valeur par défaut en appuyant simultanément sur les boutons Vitesse 1 et Vitesse 4 tout en mettant le variateur sous tension, ou en réinitialisant tous les paramètres dans le menu de configuration. Si une erreur est commise lors de la saisie du mot de passe, appuyer sur Arrêt/Reprise annulera l'action. Si la pompe est contrôlée par une commande de piscine Hayward ou d'un autre fabricant, l'affichage de la pompe peut être verrouillé par un mot de passe, mais la pompe répondra à toutes les commandes envoyées par la commande de la piscine.

20.	Réinit des réglages? + oui ou - non	+ - < >	Utiliser + pour réinitialiser aux réglages par défaut en usine. Utiliser > pour passer la réinitialisation.
21.	Etes-vous sûr? + oui ou - non	+ - < >	Confirmer la réinitialisation de tous les paramètres. Passer au prochain point du menu.
22.	Acc Menu Timer pour réglage Timers Jour		

Menu Chronométrateur

	<u>Écran</u>	<u>Touches Utilisées</u>	<u>Commentaires</u>
1.	Menu Timer App > pour accéder	< >	Utiliser > pour entrer dans le Menu Chronométrateur.
2.	App +/- pour changer ou > section suiv		
3.	Timer 1 1725tr/min 12:00a to 11:45p		
4.	App + pour changer ou > progr suivant	+ - < >	Utiliser + pour modifier le chronométrateur affiché. Utiliser > pour passer au chronométrateur suivant.

	<u>Écran</u>	<u>Touches Utilisées</u>	<u>Commentaires</u>
5.	T1: Timer 1 +/-renomm; > vitesse	+ - < >	Utiliser + pour renommer le chronomètre. Utiliser > pour régler la vitesse du moteur du chronomètre.
6.	Timer 1 1725tr/min +/- régler; > heures	+ - < >	Utiliser pour régler la vitesse du chronomètre. Utiliser > pour régler le temps de démarrage/arrêt.
7.	Timer 1 1725tr/min 8:00a to 6:00p	+ - < >	Utiliser pour régler le temps de démarrage/arrêt du chronomètre. Utiliser > pour choisir les jours d'utilisation du chronomètre.
8.	Choisir jours 7j 7j/semaine	+ - < >	Utiliser pour choisir les jours d'utilisation du chronomètre. Passer au prochain point du menu.

REMARQUE : Lorsque les temps de démarrage/arrêt sont réglés pour être les mêmes, le chronomètre est désactivé. Il est possible de régler chaque chronomètre pour marcher pendant des jours spécifiques de la semaine. Les options consistent en une marche de 7 jours par semaine, 5 jours par semaine (lundi au vendredi), ou pendant un seul jour (lundi au samedi). Chaque chronomètre est réglé de la même façon. Si les chronomètres sont réglés de façon à ce que leurs temps de marche se chevauchent, les chronomètres marchent par priorité du Chronomètre 1 au Chronomètre 8. En d'autres termes, si le Chronomètre 1 est réglé pour fonctionner de 8 h à 12 h, et le Chronomètre 2 est réglé pour fonctionner de 10 h à 14 h, la pompe exécute le Chronomètre 1 de 8 h à 12 h et bascule ensuite pour exécuter le Chronomètre 2 jusqu'à 14 h. Le réglage par défaut du Chronomètre 1 est de démarrer à 12 h et de s'arrêter à 11 h 45. Lorsque le Mode de commande à distance est réglé à Commande par relais, la vitesse du Chronomètre 1 peut être réglée à 0 tr/min pour permettre à la pompe d'être arrêtée sans avoir à couper l'alimentation.

Menu de Réglage de Vitesse Prédéfinie

	<u>Écran</u>	<u>Touches Utilisées</u>	<u>Commentaires</u>
1.	Menu vitesses App > pour accéder	< >	Utiliser > pour entrer dans le Menu Vitesses.
2.	App +/- pour changer ou > section suiv		
3.	Vitesse 1 1150 tr/min		
4.	App + pour changer ou > vitesse suivant	+ - < >	Utiliser pour modifier la vitesse affichée. Passer au prochain point du menu.
5.	S1 : Vitesse 1 +/-renomm; > vitesse	+ - < >	Utiliser pour renommer la vitesse. Passer au prochain point du menu.
6.	Vitesse 1 1725 tr/min +/- Réglage	+ - < >	Utiliser pour régler la vitesse du moteur pour la vitesse affichée. Passer au prochain point du menu.

REMARQUE : Il est possible de mettre à jour rapidement les réglages de vitesse prédéfinie sans entrer dans le Menu Vitesses, en utilisant les touches de direction + et - pour modifier la vitesse, et en appuyant ensuite sur la touche > pour enregistrer le nouveau réglage de la vitesse.

Menu Diagnostics

	<u>Écran</u>	<u>Touches Utilisées</u>	<u>Commentaires</u>
1.	Menu diagnostic App > pour accéder	< >	Utiliser > pour entrer dans le Menu Diagnostics.
2.	Press > to view next item		
3.	Afficher révision 2.00		Affiche la version du micrologiciel du circuit imprimé de l'écran.
4.	N\337 série inverter 3581200032		Affiche le numéro de série de l'entraînement du moteur.
5.	Rév comm: 10.10 Rév inverter: 2.00.65		Affiche les révisions du micrologiciel du circuit imprimé de l'interface de la carte du moteur et de l'entraînement et de l'écran.
6.	Base défauts App > pour afficher	< >	Utiliser > pour afficher le journal d'évènement.

REMARQUE : À des fins de dépannage, le Journal d'évènement enregistre les vingt derniers états d'erreur/de déclenchement ou messages d'état, aussi bien que le délai qui s'est écoulé depuis l'apparition de l'état. Voir page 26 pour plus de détails.

Arrêter/Reprendre

	<u>Écran</u>
1.	Pompe stoppée App Marche/Arrêt
2.	pour reprendre fonction normal

REMARQUE : En appuyant sur Arrêt/Reprise à tout moment pendant le fonctionnement normal, le message ci-dessus s'affiche à l'écran. La pompe s'arrête en quelques secondes, et reste à l'arrêt jusqu'à ce que la touche Arrêter/Reprendre soit appuyée une deuxième fois, où la pompe reprend le fonctionnement normal.

Nettoyage Rapide

	<u>Écran</u>
1.	Nettoyage rapide Nettoyage rapide
2.	Nettoyage rapide 3450tr/min pour 60min

3. **Nettoyage rapide**
App M/A pour arrêter

REMARQUE : Le message ci-dessus s'affiche pendant que le Nettoyage rapide est en marche. Le mode Nettoyage rapide s'exécute à la vitesse maximale autorisée et expire après 60 min, et il peut être annulé en avance en appuyant sur la touche Arrêter/Reprendre, où la pompe reprend le fonctionnement normal. Le nettoyage rapide peut se prolonger jusqu'à 360 minutes en appuyant de nouveau sur le bouton de nettoyage rapide.

Arrêt à Distance

Écran

1. **Arrêt à distance**
programmé pour

Remarque : Le message ci-dessus s'affiche lorsqu'un commutateur d'arrêt à distance est activé. La pompe reste à l'arrêt jusqu'à ce que le commutateur d'arrêt à distance soit désactivé. Voir page 14 pour plus de détails.

Entretien

- Nettoyer le panier de la crépine régulièrement. NE PAS donner de coup au panier. Inspecter le joint du couvercle régulièrement et remplacer au besoin.
- Les pompes Hayward comprennent des paliers et des joints d'arbre de moteur auto lubrifiante. Aucun graissage n'est nécessaire.
- Garder le moteur propre. Veiller à ce que les purges d'air du moteur ne sont pas obstruées pour éviter des dommages. NE PAS utiliser de l'eau pour arroser le moteur au jet.
- À l'occasion, les joints d'arbre doivent être remplacés, en raison de l'usure ou de dommages. Remplacer par un kit d'assemblage joint authentique de Hayward. Voir « Instructions de remplacement de joint d'arbre » dans le présent manuel.

Entreposage/Hivernisation

⚠️ AVERTISSEMENT – Risque de séparation. Ne pas purger le système avec de l'air comprimé. La purge du système avec de l'air comprimé peut entraîner l'explosion des composants, avec un risque de blessures graves ou de mort pour toutes personnes à proximité. Utiliser uniquement une soufflante à basse pression (inférieure à 5 PSI) à grand volume lors de la purge à l'air de la pompe, le filtre ou la tuyauterie.

⚠️ ATTENTION – La garantie est annulée si la pompe est laissée gelée avec de l'eau à l'intérieur.

⚠️ ATTENTION – Utiliser UNIQUEMENT le propylène glycol comme antigel dans le système de votre piscine/bain à remous. Le propylène-glycol est non toxique et n'endommage pas les composants en plastique du système; d'autres antigels sont extrêmement toxiques et peuvent endommager des composants en plastique dans le système.

Drainer toute l'eau de la pompe et de la tuyauterie en prévoyant des températures de congélation ou en entreposant la pompe pendant une longue période (voir instructions ci-dessous). Drainer le système par gravité autant que possible. Garder le moteur sec et couvert pendant l'entreposage. Pour éviter les problèmes de condensation/corrosion, NE PAS couvrir ou envelopper avec un film ou des sacs en plastique.

Entreposer la pompe pour l'hivernisation

⚠️ AVERTISSEMENT – Pour éviter des décharges électriques dangereuses ou mortelles, couper l'alimentation vers le moteur avant le drainage. Le manquement à couper l'alimentation peut entraîner des blessures graves ou la mort.

1. Drainer le niveau de l'eau sous toutes les entrées vers la piscine.
2. Retirer les bouchons de vidange et le couvercle de la crépine du boîtier de la crépine. (Voir « Parts Diagram » dans la partie 10.1 du présent manuel pour les emplacements du composant de la pompe.)
3. Débrancher la pompe du bloc de montage, du câblage (après que l'alimentation a été coupée), et de la tuyauterie.
4. Une fois que l'eau de la pompe est complètement drainée, installer de nouveau le couvercle de la crépine et les bouchons de vidange. Entreposer la pompe dans un endroit sec.



Instructions de Remplacement de Joint D'arbre

En effectuant l'entretien d'un équipement électrique, les précautions de sécurité de base doivent être toujours respectées y compris les points ci-après. Négliger de respecter ces consignes peut entraîner des blessures.

⚠ AVERTISSEMENT – Afin de réduire le risque des blessures, ne pas laisser les enfants utiliser ce produit.

- Débrancher toute alimentation électrique vers la pompe avant de commencer le remplacement de la garniture d'étanchéité d'arbre.
- Seul un personnel qualifié doit tenter le remplacement du joint pour mouvement rotatif. Contactez votre concessionnaire Hayward local agréé ou le centre de services si vous avez des questions.
- Voir page 24 pour l'emplacement de composant de la pompe.

Faire preuve d'une extrême prudence en manipulant les parties rotatives et fixes du joint de rechange en deux parties. Les corps étrangers ou la manipulation inappropriée entraînent facilement des rayures sur les surfaces d'étanchéité en graphite et en céramique.

Retrait de l'ensemble moteur

1. Retirer les quatre (4) vis hexagonales 3/8 x 2 po qui maintiennent l'ensemble moteur à la pompe/ au boîtier de la crépine, à l'aide d'une clé ou douille de 9/16 po.
2. Glisser l'ensemble moteur hors de la pompe/du boîtier de la crépine, exposant le diffuseur. Retirer le diffuseur de la plaque d'étanchéité pour exposer la tête de pompe.

Retrait de la tête de pompe

3. Pour éviter la rotation de l'arbre du moteur, bloquer à l'aide d'une clé hexagonale de 5/16 po sur l'arbre du moteur à travers le capot de ventilateur sur le dos de la pompe.
4. Retirer la tête de pompe en tournant dans le sens antihoraire.

Retrait du siège en céramique

5. Retirer le joint élastique de la tête de pompe et retirer la plaque d'étanchéité du moteur.
6. Appuyer sur le siège en céramique avec la bague en caoutchouc hors de la plaque d'étanchéité. S'il est serré, utiliser un petit tournevis pour tapoter le joint afin de le dégager.

ARRÊTER - Nettoyer tous les recoins et toutes les pièces qui doivent être rassemblées. Inspecter les joints et les remplacer si nécessaire.

Pose du joint

7. Nettoyer et graisser légèrement les recoins de l'arbre et du joint du moteur dans la plaque d'étanchéité à l'aide d'une solution diluée de savon liquide non granulé. Essuyez doucement la face polie du joint en céramique avec un chiffon doux en coton. Graisser la bague en caoutchouc sur le siège en céramique et le pousser fermement dans le recoin de la plaque d'étanchéité, avec la surface polie en céramique tournée vers l'extérieur.
8. Remonter le moteur sur la plaque d'étanchéité.
9. Essuyez doucement la face polie, noire du joint élastique avec un chiffon doux en coton.
10. Enfoncer le joint élastique sur l'arbre de la tête de pompe, avec la surface polie noire tournée vers le siège en céramique.

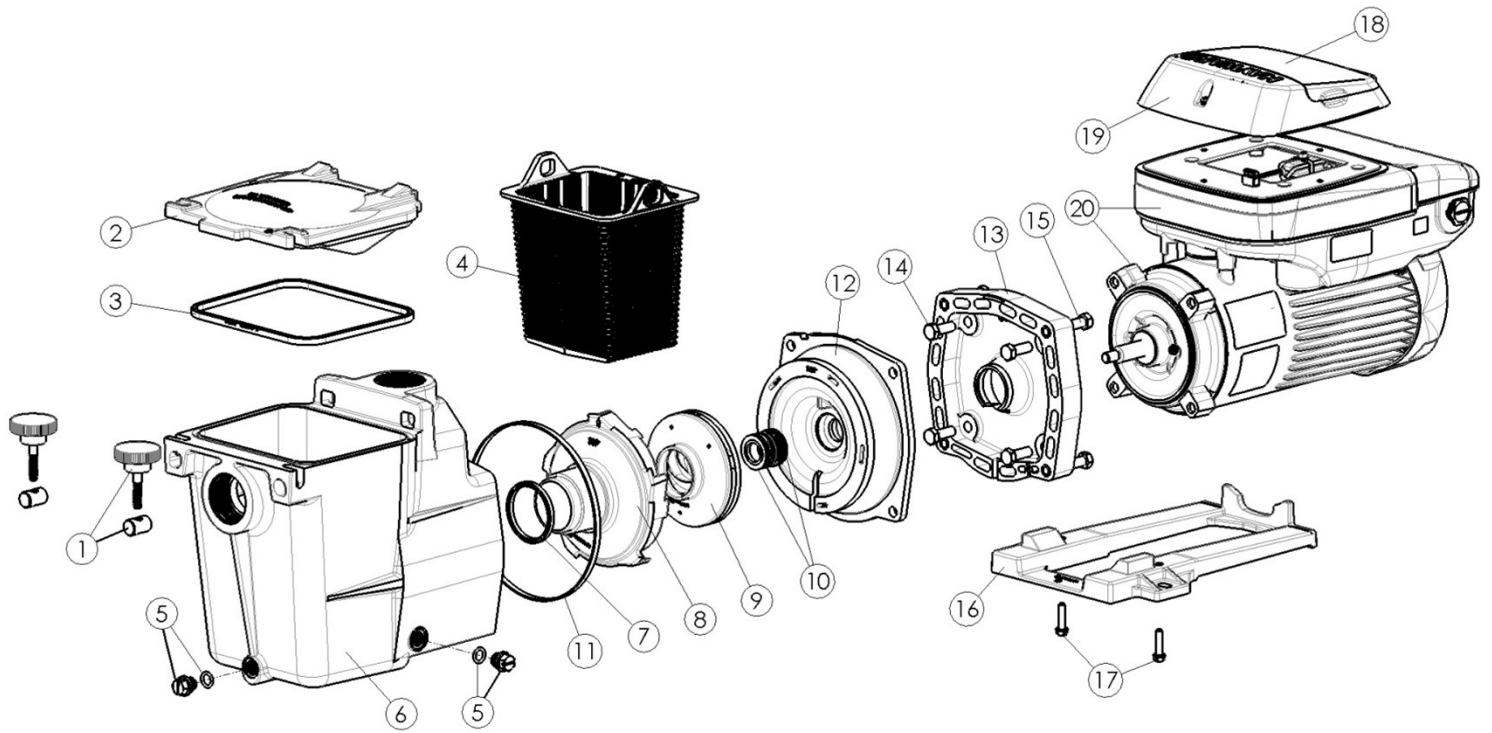
Remplacement de la tête de pompe et du diffuseur

11. Visser la tête de pompe sur l'arbre du moteur dans un sens horaire. Serrer solidement en tenant l'arbre du moteur avec une clé comme indiqué dans l'étape 3.
12. Placer le diffuseur par-dessus la tête de pompe et sur la plaque d'étanchéité.

Remplacement de l'ensemble moteur

13. Glisser l'ensemble moteur, avec le diffuseur en place, dans le boîtier de la pompe/crépine, en faisant attention à ne pas gêner le joint du diffuseur.
14. Fixer l'ensemble au boîtier de la pompe/crépine à l'aide des quatre (4) boulons 3/8 x 2 po. (S'assurer que le joint du boîtier est en place et est graissé. Remplacer si endommagé). Serrer les boulons alternativement et de façon régulière à 80 livres-pouces. En regardant le dos de la pompe, commencer par en haut à droite, continuer en diagonal vers le bas à gauche, puis en haut à gauche et enfin, en bas à droite.

Pièces de Rechange



No.	Part Number	Description	Qty.	No.	Part Number	Description	Qty.
1	SPX1600PN	Écrou tournant et poignée	2	13	SPX1600F5	Plaque de montage du moteur	1
2	SPX1600D	Couvercle de la crépine	1	14	SPX0125z44	Vis à chapeau du moteur (jeu de 4)	1
3	SPX1600S	Joint du couvercle de la crépine	1	15	SPX1600Z4	Vis à chapeau du boîtier	4
4	SPX1600M	Panier	1	16	SPX2600GV	Pied de montage VSP (comprend les vis)	1
5	SPX4000PG	Bouchon de vidange avec joint	2	17	SPX1600Z52	Vis du pied de montage (jeu de 2)	1
6	SPX1620AA	Boîtier de la pompe de la crépine avec joint	1	18	SPX3400DR4	Couvercle de l'affichage de l'entraînement du moteur (couvercle uniquement)	1
7	SPX1600R	Joint du diffuseur	1	19	SPX3200LCD	Ensemble de l'interface à commande numérique	1
8	SPX2600B	Diffuseur	1	-	SPX3400DRKIT	Kit de montage mural	1
9	SPX2610C	Tête de pompe	1	-	SPX3200DRCC	Ensemble de câbles de communication	1
10A	SPX1600Z2	Garniture d'étanchéité d'arbre	1	-	SPXHKIT3	Ensemble de réparation rapide (comprend n° 3, 7, 10A, 11 et graisse Jack)	1
10B	SPX1600Z2VIT	Garniture d'étanchéité d'arbre (Viton)	1		POWER END		
11	SPX1600T	Joint de boîtier	1	20	SPX2603Z1VSPE	Ensemble d'extrémités motrices (comprend n° 7-14, moteur et entraînement)	1
12	SPX2600E5	Plaque d'étanchéité	1				

Dépannage

Problèmes Généraux

- **Le moteur NE démarre PAS :**
 1. S'assurer que les raccordements de la plaque à bornes correspondent au schéma de câblage sur l'étiquette de la plaque signalétique de pompe
 2. Assurer que la pompe est câblée pour la tension d'alimentation du champ.
 3. Vérifier et corriger les raccords électriques inappropriés ou desserrés ; commutateurs ou relais ouverts ; disjoncteurs déclenchés, ou fusibles grillés.
 4. Vérifier à la main la rotation de l'arbre du moteur aux fins d'un mouvement libre et sans obstacle. Corriger si nécessaire.
- **Le moteur S'ARRÊTE :**
 1. Vérifier la tension basse ou la chute du courant au niveau du moteur (souvent causées par un câblage sousdimensionné). Contacter un professionnel qualifié pour vérifier les raccordements électriques.
- **Le moteur ronfle, mais NE démarre PAS :**
 1. Tête de pompe obstruée par des débris. Faire ouvrir la pompe et retirer les débris par un professionnel qualifié.
- **La pompe ne s'amorce pas :**
 1. Vider le boîtier de la pompe/crépine. S'assurer que le boîtier de la pompe/crépine est rempli avec de l'eau et le joint torique du couvercle est propre. Assurer que le joint torique est placé de façon appropriée dans la rainure de joint torique du couvercle. Assurer que la surface d'étanchéité du joint torique est graissée avec du « Jack' s 327 » et que le couvercle de la crépine est verrouillé fermement en place. Le lubrifiant contribue à créer un joint plus étanche.
 2. Raccordements desserrés sur le côté aspiration. Serrer les raccords de tuyau/union. REMARQUE : Une pompe à amorçage automatique ne s'amorce pas en présence de fuites d'air aspiré. Les fuites entraînent des bulles qui émanent des buses de refoulement sur le mur de la piscine.
 3. Fuite de joint torique ou de fouloir sur les soupapes. Serrer, réparer ou remplacer les soupapes.
 4. Panier de la crépine ou panier du récupérateur chargé de débris. Retirer le couvercle du boîtier de la crépine ou le couvercle du récupérateur. Nettoyer le panier, et remplir de nouveau le boîtier de la crépine avec de l'eau. Serrer le couvercle.
 5. Aspiration bouchée. Contacter un professionnel qualifié. Vous devez avoir un vide de 5 - 6 po au niveau du couvercle de la crépine (votre vendeur de piscines peut confirmer cela à l'aide d'un vacuomètre). Vous pourriez le vérifier en retirant le panier du récupérateur et en tenant un objet par dessus l'orifice du fond avec le récupérateur plein et la pompe en marche. Si aucune aspiration n'est ressentie, vérifier si la conduite est bloquée.
 - a. Si la pompe développe un vide, vérifier la présence d'une conduite d'aspiration bloquée ou d'un panier de la crépine sale. Une fuite d'air dans la tuyauterie d'aspiration peut en être la cause.
 - b. Si la pompe ne développe pas un vide et la pompe a une quantité suffisante d'eau pour l'amorçage :
 - i. Vérifier de nouveau le couvercle du boîtier de la crépine et tous les raccords filetés pour des fuites d'aspiration. Vérifier si tous les colliers de serrage du système sont serrés.
 - ii. Vérifier la tension pour s'assurer que le moteur tourne à plein régime.
 - iii. Ouvrir le couvercle du boîtier et vérifier le bouchage ou l'obstruction dans l'aspiration. Vérifier la tête de pompe pour des débris.
 - iv. Retirer et remplacer la garniture d'étanchéité de l'arbre seulement si elle fuit.
- **Débit faible – En général :**
 1. Crépine ou conduite d'aspiration bouchée ou obstruée. Contacter un professionnel qualifié.
 2. Tuyauterie de piscine sous-dimensionnée. Corriger la dimension de la tuyauterie.
 3. Conduite de refoulement bouchée ou obstruée du filtre, vanne fermée en partie (indication élevée du manomètre). Filtre à sable – lavage à contre-courant selon les instructions du fabricant; filtre à diatomées – lavage à contrecourant selon les instructions du fabricant; filtres à cartouche – nettoyer ou remplacer la cartouche.
 4. Fuite d'air dans l'aspiration (bulles provenant des buses de refoulement). Serrer de nouveau les raccords d'aspiration et de refoulement à l'aide de ruban PTFE. Inspecter les autres raccords de plomberie, et serrer autant que besoin.
 5. Tête de pompe bouchée, obstruée ou endommagée. Remplacer la tête de pompe y compris une nouvelle ensemble d'étanchéité.
- **Pompe bruyante :**
 1. Fuite d'air dans la tuyauterie d'aspiration, cavitations causées par une conduite d'aspiration obstruée ou sous-dimensionnée ou fuite au niveau d'un assemblage, niveau d'eau bas dans la piscine, et conduites de refoulement obstruées. Corriger l'état de l'aspiration ou les conduites étranglées de retour, si pratique. Il est possible de vérifier cela en tenant une main par-dessus la buse de refoulement ou en y installant un raccord de calibre inférieur
 2. Vibration due à un montage inapproprié, etc. Stabiliser la pompe sur une surface de niveau et sécuriser la pompe au bloc d'équipement.

3. Corps étrangers dans le boîtier de la pompe. Des pierres ou débris détachés qui heurtent la tête de pompe pourraient en être la cause. Nettoyer le boîtier de la pompe.
 4. Paliers du moteur bruyants dus à l'usure normale, la rouille, aux surchauffes ou à la concentration de produits chimiques qui causent des dommages au joint, permettant à l'eau chlorée de s'infiltrer dans les paliers, essuyant la graisse et causant le sirènement du palier. Tous les joints présentant des fuites doivent être remplacés immédiatement.
- **Interférence avec l'équipement domotique/technique des courants porteurs en ligne :**
 1. S'assurer que les raccordements de la plaque à bornes correspondent au schéma de câblage sur l'étiquette de la plaque signalétique de la pompe
 2. Vérifier et corriger les raccords électriques inappropriés ou desserrés.
 3. Installer un filtre antiparasite (du fournisseur d'équipement domotique/technique des courants porteurs en ligne) pour éviter l'interférence des équipements.

Vérifier les Messages Système

Code	Dépannage
Vérifier le système Tension CC trop élevée	Indique que la tension interne du bus CC est trop élevée. Vérifier que la tension secteur est dans la limite de 10 % de la tension nominale de la pompe au bloc de jonction.
Vérifier le système Tension CC trop faible	Indique que la tension interne du bus CC est trop basse. Vérifier que la tension secteur est dans la limite de 10 % de la tension nominale de la pompe au bloc de jonction. Aussi, vérifier que les raccordements de l'alimentation électrique sont effectués de façon appropriée au niveau du disjoncteur aussi bien que du bloc de jonction.
Vérifier le système L'entraînement est en surchauffe	Indique que les composants internes de l'entraînement sont en surchauffe. Le cheminement de l'air du moteur doit être vérifié et nettoyé en cas de présence d'obstructions. Vérifier la température ambiante et vérifier par rapport à la plaque signalétique du moteur (50 °C/122 °F).
Vérifier le système Surcharge de l'entraînement	Indique que le courant du moteur est trop élevé. Vérifier la tête de pompe, le diffuseur, la garniture d'étanchéité de l'arbre, et le moteur pour des problèmes ou grippage.
Vérifier le système La pompe a figé	Indique que le variateur a perdu le contrôle de la rotation de l'arbre moteur. Vérifier la tête de pompe, le diffuseur, la garniture d'étanchéité de l'arbre, et le moteur pour des problèmes ou grippage.
Vérifier le système La pompe n'a pas pu démarrer	Indique que l'entraînement n'a pas pu démarrer le moteur. Vérifier la tête de pompe, le diffuseur, la garniture d'étanchéité de l'arbre, et le moteur pour des problèmes ou grippage.
Vérifier le système Moteur: phase perdue	Indique que l'une des phases du moteur est ouverte et qu'il peut être nécessaire de remplacer le moteur ou l'entraînement. Contacter le service technique de Hayward pour une assistance supplémentaire.
Vérifier le système Panne de processeur	Indique qu'il y a un problème avec le processeur dans le moteur ou l'entraînement, et qu'il peut être nécessaire de remplacer le moteur ou l'entraînement. Contacter le service technique de Hayward pour une assistance supplémentaire.
Vérifier le système Échec de la communication	Indique qu'il y a des problèmes de communication entre l'interface utilisateur et le moteur ou l'entraînement. Les raccordements entre l'interface utilisateur et le moteur ou l'entraînement doivent être vérifiés.
Vérifier le système Panne de mémoire	Indique que la mémoire de l'entraînement a été endommagée ou corrompue, et il peut être nécessaire de remplacer le moteur ou l'entraînement. Contacter le service technique de Hayward pour une assistance supplémentaire.
Vérifier le système Échec de la communication de l'entraînement	Indique qu'il y a des problèmes de communication à l'intérieur du moteur ou de l'entraînement, et qu'il peut être nécessaire de remplacer le moteur ou l'entraînement. Contacter le service technique de Hayward pour une assistance supplémentaire.
Vérifier le système Code d'erreur XX	Indique que l'interface utilisateur reçoit une erreur qu'il ne comprend pas du moteur ou de l'entraînement. Contacter le service technique de Hayward pour une assistance supplémentaire.

REMARQUE : Toutes les erreurs peuvent être réinitialisées manuellement en appuyant sur Arrêter/Reprendre lorsque le message d'erreur s'affiche, ou en arrêtant puis en mettant le moteur sous tension après l'apparition de l'erreur. Dans certaines circonstances, l'erreur « surcharge de l'entraînement » peut être réinitialisée uniquement en arrêtant puis en mettant la pompe sous tension. Si les étapes de dépannage énumérées ci-dessus ne contribuent pas à résoudre l'état de l'erreur, alors le problème peut être interne au moteur ou à l'entraînement. Contacter le service technique de Hayward au 1-888-238-7665 pour une assistance supplémentaire.

Déclaration de Conformité à la Norme FCC :

Cet appareil est conforme à la partie 15 des règlements de la FCC. L'utilisation est sujette aux deux conditions ci-après : (1) Cet appareil ne doit pas provoquer des interférences nuisibles, et (2) cet appareil doit accepter les interférences reçues, y compris les interférences qui pourraient entraîner un fonctionnement indésirable.

Cet équipement a subi des essais prouvant sa conformité aux limites prescrites pour les dispositifs numériques de Classe B, selon la partie 15 des règles de la FCC. Ces limitations sont définies afin de fournir une protection raisonnable contre des interférences dommageables en cas d'installation domestique. Cet équipement produit, utilise et peut irradier de l'énergie de fréquence radio, et s'il n'est pas installé ou utilisé conformément aux instructions, peut causer une interférence dommageable pour les radiocommunications.

Toutefois, il n'y a aucune garantie qu'il ne se produira pas d'interférences dans une installation donnée. Si cet équipement interfère avec la réception radiophonique ou télévisuelle, ce qui peut être vérifié en éteignant puis en rallumant l'équipement, l'utilisateur est invité à essayer de corriger l'interférence en prenant une ou plusieurs des mesures suivantes :

- Réorienter l'antenne réceptrice ou la placer à un autre endroit.
- Déplacer l'équipement loin du récepteur.
- Brancher l'équipement à une prise d'un circuit différent de celui auquel le récepteur est connecté.
- Consulter votre concessionnaire ou un technicien expérimenté en radio/télévision pour plus de recommandations.

Pour de plus amples renseignements ou pour un soutien technique, visitez notre site Web à l'adresse
www.haywardpiscine.ca
US: 908-355-7995
CANADA: 1-888-238-7665



Hayward est une marque déposée de Hayward Industries, Inc. © 2024 Hayward Industries.

Toutes les autres marques de commerce ne sont pas détenues par Hayward et sont la propriété de leurs propriétaires respectifs. Hayward n'est en aucun cas affiliée à ces tierces parties ni n'est soutenue par ces dernières. Pour obtenir des renseignements sur les brevets, voir www.hayward.com/patents.

